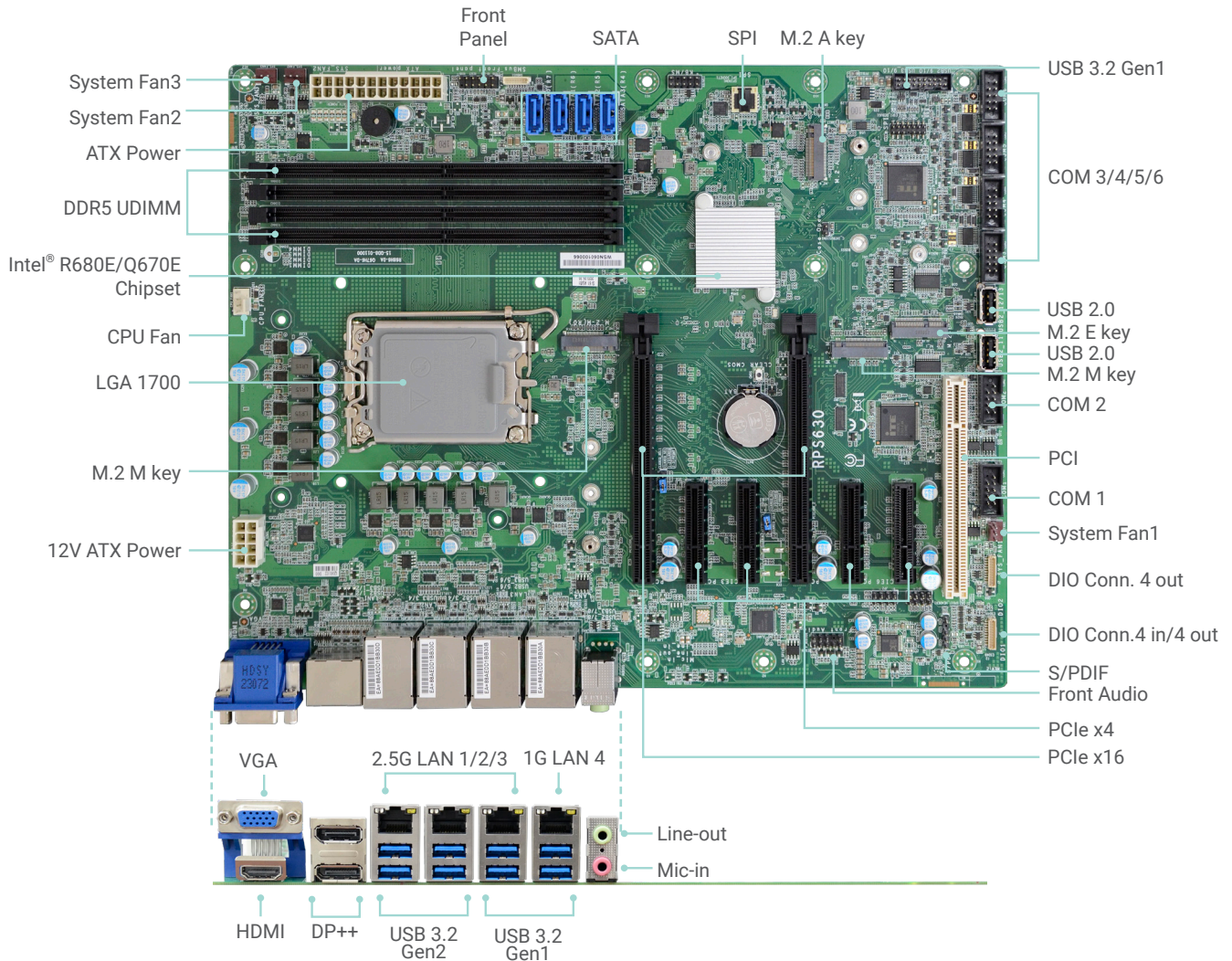


# RPS630-R680E/Q670E

13/12th Gen Intel® Core™  
Desktop  
ATX



Top View

## KEY FEATURES



### DDR5

4 DDR5 UDIMM up to 128GB



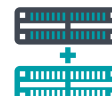
### 4K High Resolution

Supports 4K resolution



### Quad Displays

VGA, 2 DP++, HDMI



### Multiple Expansion

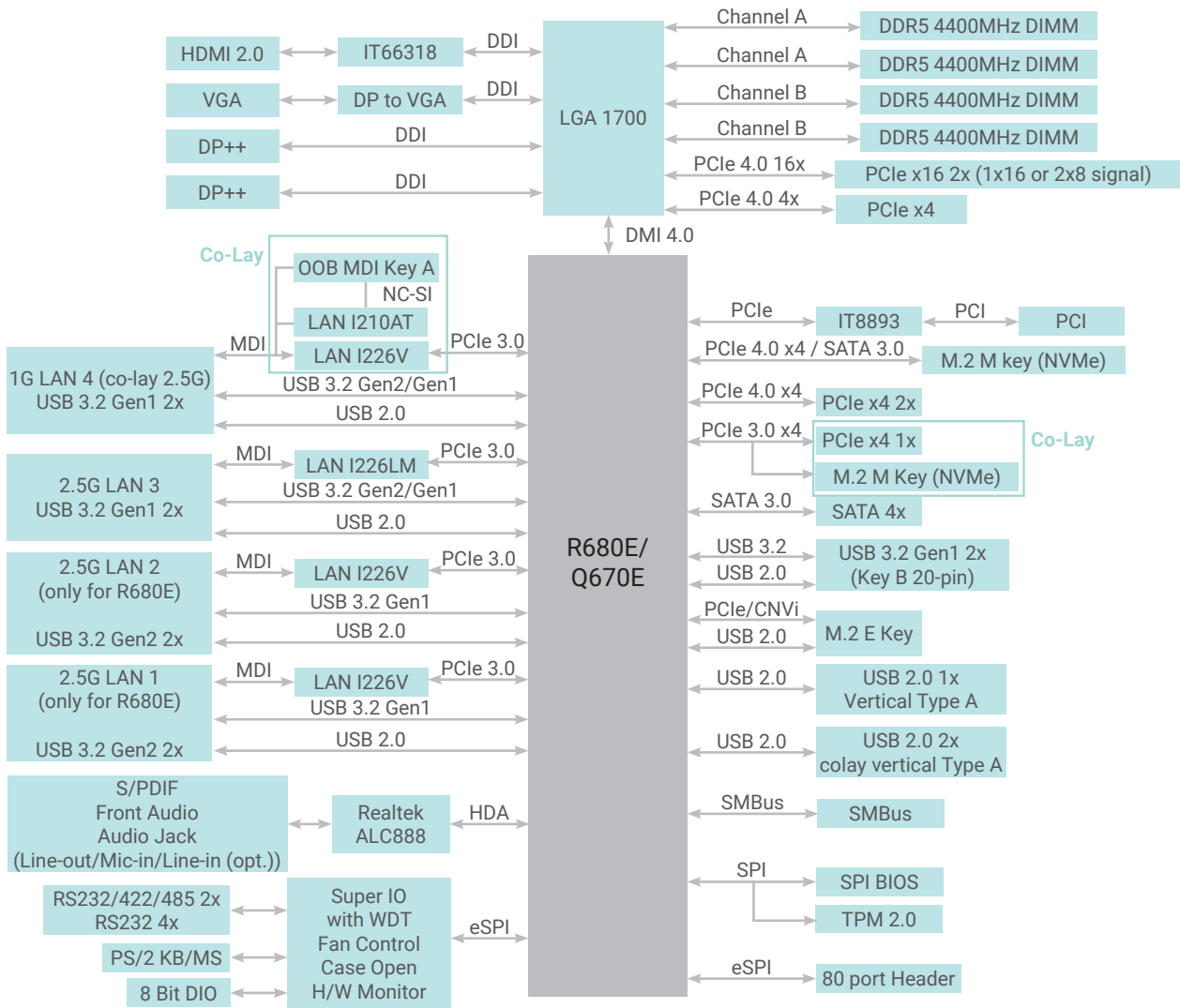
2 PCIe x16, 4 PCIe x4, 1 PCI, 2 M.2 M key, 1 M.2 E Key, 1 M.2 A Key(OOB)



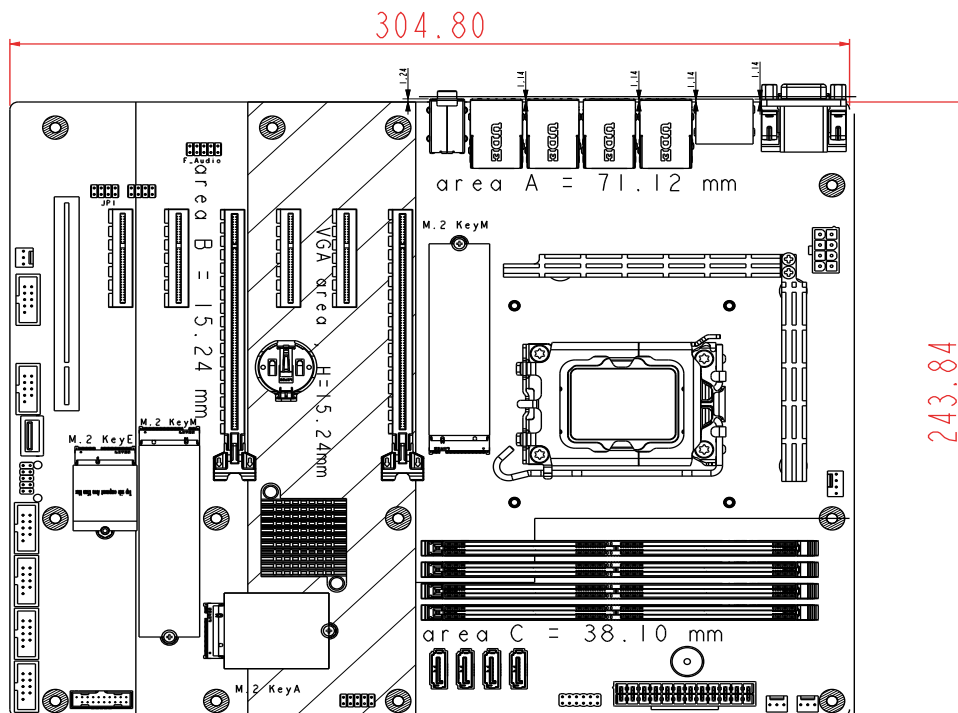
### Rich I/O

1 Intel 1GbE, 3 Intel 2.5GbE, 6 COM, 4 USB 3.2 Gen2, 10 USB 3.2 Gen1, 13 USB 2.0

# BLOCK DIAGRAM



# MECHANICAL DRAWING



## SPECIFICATION

SYSTEM	Processor	<p>13th Generation Intel® LGA 1700 Socket Processors, TDP support up to 125W</p> <p>Intel® Core™ i9-13900E (24 Cores, 36M Cache, up to 5.2 GHz); 65W            Intel® Core™ i9-13900TE (24 Cores, 36M Cache, up to 5.0 GHz); 35W            Intel® Core™ i7-13700E (16 Cores, 30M Cache, up to 5.1 GHz); 65W            Intel® Core™ i7-13700TE (16 Cores, 30M Cache, up to 4.8 GHz); 35W            Intel® Core™ i7-13700T (16 Cores, 30M Cache, up to 4.9 GHz); 35W            Intel® Core™ i5-13500E (14 Cores, 24M Cache, up to 4.6 GHz); 65W            Intel® Core™ i5-13500TE (14 Cores, 24M Cache, up to 4.5 GHz); 35W            Intel® Core™ i5-13500T (14 Cores, 24M Cache, up to 4.6 GHz); 35W            Intel® Core™ i5-13400E (10 Cores, 20M Cache, up to 4.6 GHz); 65W            Intel® Core™ i3-13100E (4 Cores, 12M Cache, up to 4.4 GHz); 65W            Intel® Core™ i3-13100TE (4 Cores, 12M Cache, up to 4.1 GHz); 35W            Intel® Core™ i3-13100T (4 Cores, 12M Cache, up to 4.2 GHz); 35W</p> <p>12th Generation Intel® LGA 1700 Socket Processors, TDP support up to 125W</p> <p>Intel® Core™ i9-12900E (16 Cores, 30M Cache, up to 5.0 GHz); 65W            Intel® Core™ i9-12900TE (16 Cores, 30M Cache, up to 4.8 GHz); 35W            Intel® Core™ i7-12700E (12 Cores, 25M Cache, up to 4.8 GHz); 65W            Intel® Core™ i7-12700TE (12 Cores, 25M Cache, up to 4.6 GHz); 35W            Intel® Core™ i5-12500E (6 Cores, 18M Cache, up to 4.5 GHz); 65W            Intel® Core™ i5-12500TE (6 Cores, 18M Cache, up to 4.3 GHz); 35W            Intel® Core™ i3-12100E (4 Cores, 12M Cache, up to 4.2 GHz); 60W            Intel® Core™ i3-12100TE (4 Cores, 12M Cache, up to 4.0 GHz); 35W            Intel® Pentium® G7400E (2 Cores, 6M Cache, 3.6 GHz); 46W            Intel® Pentium® G7400TE (2 Cores, 6M Cache, 3.0 GHz); 35W            Intel® Celeron® G6900E (2 Cores, 4M Cache, 3.0 GHz); 46W            Intel® Celeron® G6900TE (2 Cores, 4M Cache, 2.4 GHz); 35W</p>	
	Chipset	Intel® R680E/Q670E Chipset	
	Memory	Four 288-pin UDIMM up to 128GB (ECC/Non-ECC) Dual Channel DDR5 up to 4400 MHz <b>*Speed support list follow User's Manual</b>	
	BIOS	AMI SPI 256Mbit	
	GRAPHICS	Controller	Intel® HD Gen 9 Graphics
	Feature	OpenGL 4.5, DirectX 12, OpenCL 2.1 HW Decode: AVC/H.264, MPEG2, VC1/WMV9, JPEG/MJPEG, HEVC/H265, VP8, VP9 HW Encode: MPEG2, AVC/H264, JPEG, HEVC/H265, VP8, VP9	
	Display	1 x VGA	VGA: resolution up to 1920x1200 @ 60Hz
		2 x DP++	DP++: resolution up to 4096x2304 @60Hz
		1 x HDMI 2.0a	HDMI: resolution up to 4096x2160 @ 24Hz
	Quad Displays	VGA + 2 x DP++ + HDMI	
EXPANSION	Interface	2 x PCIe x16 (Gen 4, 16 or 8+8) 3 x PCIe x4 (Gen 4) 1 x PCIe x4 (Gen 3, co-lay M.2-M2, function selected by BIOS.) 1 x PCI 1 x M.2 E key 1 x M.2 A key (support M2-OOB) 1 x M.2 M key (PCIe x4 Gen4 NVMe, SATA) 1 x M.2 M key (opt. co-lay PCIe x4 Gen3 slot #6, function selected by BIOS.)	
AUDIO	Audio Codec	Realtek ALC888S	
ETHERNET	Controller	1 x Intel® I226-LM (Core i9/i7/i5 support iAMT) 1 x Intel® I210-AT (co-lay I226-V) <b>R680E:</b> 2 x Intel® I226-V	
REAR I/O	Ethernet	<b>Q670E:</b> 1 x 2.5GbE (RJ-45) 1 x 1GbE (RJ-45, opt. 2.5GbE) <b>R680E:</b> 3 x 2.5GbE (RJ-45) 1 x 1GbE (RJ-45, opt. 2.5GbE)	
	USB	4 x USB 3.2 Gen 2 4 x USB 3.2 Gen 1	
	Display	1 x VGA 2 x DP++ 1 x HDMI	
	Audio	1 x Line-out 1 x Mic-in 1 x Line-in (opt.)	

## SPECIFICATION

INTERNAL I/O	Serial	2 x RS-232/422/485 4 x RS-232	
	USB	2 x USB 3.2 Gen1 1 x USB 2.0 Type A 2 x USB 2.0 (colay vertical Type A, MOQ required)	
	Audio	1 x Front Audio 1 x S/PDIF	
	SATA	4 x SATA 3.0 (up to 6Gb/s)	RAID 0/1/5/10
	PS/2	1 x PS/2 (2.54mm pitch)	
	DIO	1 x 8-bit DIO	
	eSPI	1 x eSPI	
	SMBus	1 x SMBus	
	WATCHDOG TIMER	Output & Interval	System Reset, Programmable via Software from 1 to 255 Seconds
SECURITY	TPM	Nuvoton TPM2.0	
POWER	Type	ATX	
	Connector	8-pin ATX 12V power 24-pin ATX power	
	Consumption	TBD	
	RTC Battery	CR2032 Coin Cell	
OS SUPPORT	Microsoft	Windows 10 IoT Enterprise 64-bit Windows 11 Enterprise	
	Linux	Linux	
ENVIRONMENT	Temperature	Operating: -5 to 65°C	
		Storage: -30 to 60°C with RTC Battery; -40 to 85°C without RTC Battery	
	Humidity	Operating: 5 to 95% RH Storage: 5 to 95% RH	
	MTBF	TBD	
MECHANISM	Dimensions	ATX Form Factor	305mm (12") x 244mm (9.6")
	Height	PCB: 1.6mm Top Side: 33.3mm Bottom Side: 4mm	
CERTIFICATIONS	Certifications	CE, FCC Class B, RoHS, UKCA	

## ORDERING INFORMATION

Model Name	P/N	Memory	1 GbE	2.5 GbE	RS-232/422/485	USB 3.2 Gen2	USB 3.2 Gen1	USB 2.0	TPM 2.0	Power	Thermal	Temp.
RPS630-Q670E	770-RPS6301-000G	4 UDIMM	1	1	2	4	10	13	1	24-pin ATX/8-pin ATX 12V	Active	-5 to 65°C
RPS630-R680E	770-RPS6301-100G	4 UDIMM	1	3	2	4	10	13	1	24-pin ATX/8-pin ATX 12V	Active	-5 to 65°C

## PACKING LIST

1 RPS630 motherboard	
1 COM port cables (Length: 300mm, 2 x COM ports)	
1 Serial ATA data cable (Length: 500mm)	
1 I/O shield	A49-RPS310-000G
1 M.2 screw/standoff	

## OPTIONAL ITEMS

USB 2.0 port cable (Length: 350/398mm)	A81-001066-016G
USB 3.2 Gen1 port cable (Length: 320mm)	A81-001052-023G
USB 3.2 Gen2 port cable (Length: 300mm)	A81-001075-017G
COM port cable (Length: 300mm, 2 x COM ports)	A81-015026-023G
Serial ATA data cable (Length: 500mm, W/LOCK)	332-553001-005G
Serial ATA data cable (Length: 500mm, W/LOCK, 90D)	A81-002128-017G
Thermal solution (For 35W, Height: 29.39mm)	A71-101136-000G
Thermal solution (For 65W, Height: 46mm)	A71-101137-000G
Thermal solution (For 95W/125W, Height: 110mm)	A71-101145-000G
DP to HDMI Dongle	612-D2H13M-000G
M.2-COM4 (M.2 serial port module)	770-M2COM1-000G
M.2-2LAN (M.2 LAN port module)	770-M22LN2-000G
M.2-2PSE (M.2 PSE module)	770-M22PS2-000G