

ESP

1000



2.5GigE

Ultra-compact Fanless LAN Switch System



Smart Factory



- Quad-Core Intel Atom® x6425RE processor (Elkhart Lake) delivers up to 55% faster compute and up to 2.7X better 3D graphics performance than the former generation solution
- DDR4 3200MHz memory, up to 32GB
- 1 Independent 2.5GigE LAN supports Intel® Time sensitive Networking (TSN) and 1 independent GigE LAN supports 10/100/1000 Mbps data transfer
- Industrial 8-port Layer 2 Unmanaged Ethernet Switch with 6 10/100/1000 Base-T(X) ports and 2 100/1000 Base SFP ports
- Optional VHub One-Stop AIoT Solution Service supports OpenVINO based AI accelerator and advanced Edge AI applications

Machine Vision



Public Security

intel partner
Gold IoT Solutions



VHub

Vecow

Specifications

System

Processor	Intel Atom® x6425RE Processor (Elkhart Lake)
Chipset	Intel® SoC
BIOS	AMI
SIO	IT8786E
Memory	1 DDR4 3200MHz SO-DIMM, up to 32GB
OS	Windows 10, Linux

I/O Interface

Serial	4 COM RS-232/422/485(ESD 8kV)
USB	- 2 USB 3.1 - 2 USB 2.0
LED	HDD, WLAN, Power, WWAN, P1, L/A, F/O
SIM Card	1 External Nano SIM Card Socket

Expansion

M.2	1 M.2 Key E Socket (2230)
-----	---------------------------

Graphics

Graphics Processor	Intel® UHD Graphics for 10th Gen Intel® Processors
Interface	Dual Display : - DVI-I : Up to 3840 x 2160 @60Hz - DisplayPort : Up to 4096 x 2160 @60Hz

Storage

M.2	1 M.2 Key M Socket (2280, PCIe x2/SATA)
-----	---

Audio

Audio Codec	Realtek ALC888S-VD, 7.1 Channel HD Audio
Audio Interface	Line-out

Ethernet

LAN 1	Intel® Ethernet Controller I210 supports GigE LAN
LAN 2	Intel® Ethernet Controller I225 supports 2.5GigE LAN

Switch Ethernet

sLAN 1 to sLAN 6	10/100/1000 Base LAN port
sLAN 9 & sLAN 10	100/1000 Base SFP port

Power

Power Input	DC 9V to 55V
Power Interface	3-pin Terminal Block : V+, V-, Frame Ground

Others

TPM	Infineon SLB9670 supports TPM 2.0, SPI Interface
Watchdog Timer	Reset : 1 to 255 sec./min. per step
Smart Management	Wake on LAN
HW Monitor	Monitoring temperature, voltages. Auto throttling control when CPU overheats.

Environment

Operating Temperature	-25°C to 70°C (-13°F to 157°F)
Storage Temperature	-40°C to 85°C (-40°F to 185°F)
Humidity	5% to 95% Humidity, Non-condensing
Relative Humidity	95% @70°C
Shock	- IEC 60068-2-27 - SSD : 50G @wallmount, Half-sine, 11ms
Vibration	- IEC 60068-2-64 - SSD : 5Grms, 5Hz to 500Hz, 3 Axis
EMC	CE, FCC, EN50155, EN50121-3-2

Mechanical

Dimensions	225.0mm x 150.4mm x 58.0mm (8.86" x 5.92" x 2.28")
Weight	1.9 kg (4.19 lb)
Mounting	- Wallmount by mounting bracket - DIN Rail Mount (Optional)

Ordering Information

Model	LAN		Ethernet Switch		USB	COM
	2.5G	GigE	RJ45	SFP		
ESP-1000	1	1	6	2	4	4

Optional Software

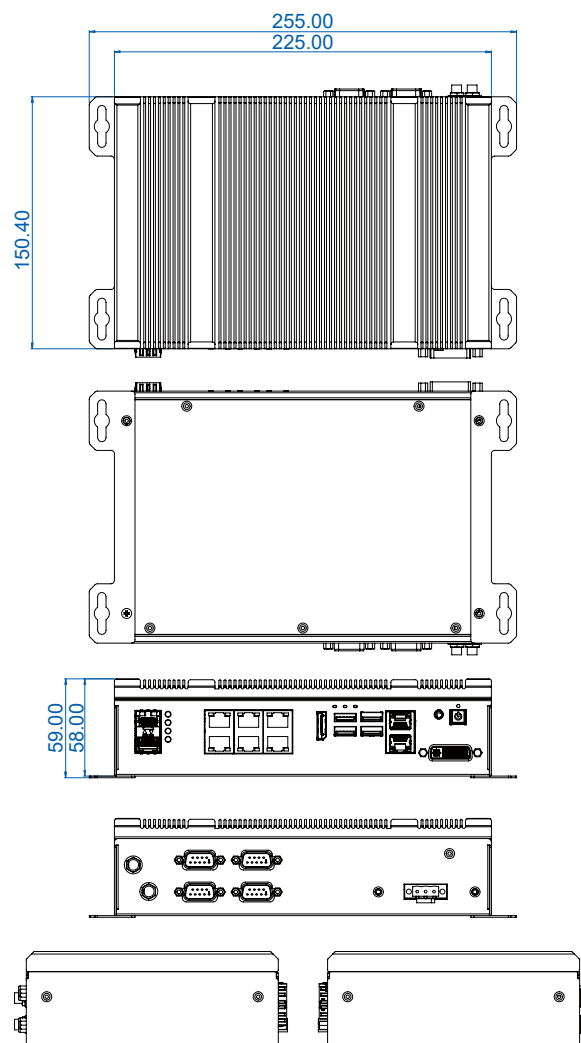
VHub AI Developer	AI Development Kit
VHub ROS	AMR Development Kit
VHub EtherCAT	I/O Control Platform

Accessories

DDR4 32G	Certified DDR4 32GB 3200MHz RAM
DDR4 16G	Certified DDR4 16GB 3200MHz RAM
DDR4 8G	Certified DDR4 8GB 3200MHz RAM
DDR4 4G	Certified DDR4 4GB 3200MHz RAM
PWA-60WP3-WT	60W, 24V/2.5A 90V AC to 264V AC Power Adapter with 3-pin Terminal Block, Wide Temperature -30°C to +70°C
M.2 Storage Module	M.2 Key M PCIe Storage Module
WiFi & Bluetooth	WiFi & Bluetooth Module with Antenna

Dimensions & Drawing

Unit : mm (inch)



* All product information may subject to change without prior notice.

* The rights of all brand names, product names and trademarks belong to their respective owners.
Copyright © 2022 Vecow Co., Ltd. All rights reserved.