

Features

- ARM Based HMI
- Fanless design
- Flat front panel touch screen
- TI-AM3354, ARM® Cortex™ A8 processor
- Onboard 512MB DDR3 SDRAM
- Onboard 512MB up to 1GB NAND Flash
- DC 9~36V wide-ranging power input
- LED backlight LCD

Specifications

System	
CPU	Ti-AM3354, ARM Cortex A8(1x Core,1.0GHz)
System Chipset	NA
Memory	Onboard 512MB DDR3 SDRAM

External IO Port	
USB	2 x USB 2.0 type A
Serial / Parallel	1 x RS-232/422/485 DB9 , default RS-232
LAN	1 x 10/100MB LAN RJ-45 (POE for option)
Audio	1 x Line-out
Power	1 x 3-pin terminal block connector 1 x 2-pin Power switch connector
Option	TB-508CAN1 TB-508C1

Storage Space	
HDD	Onboard 512MB NAND Flash (1GB for option)
Movable device	1 x micro SD slot

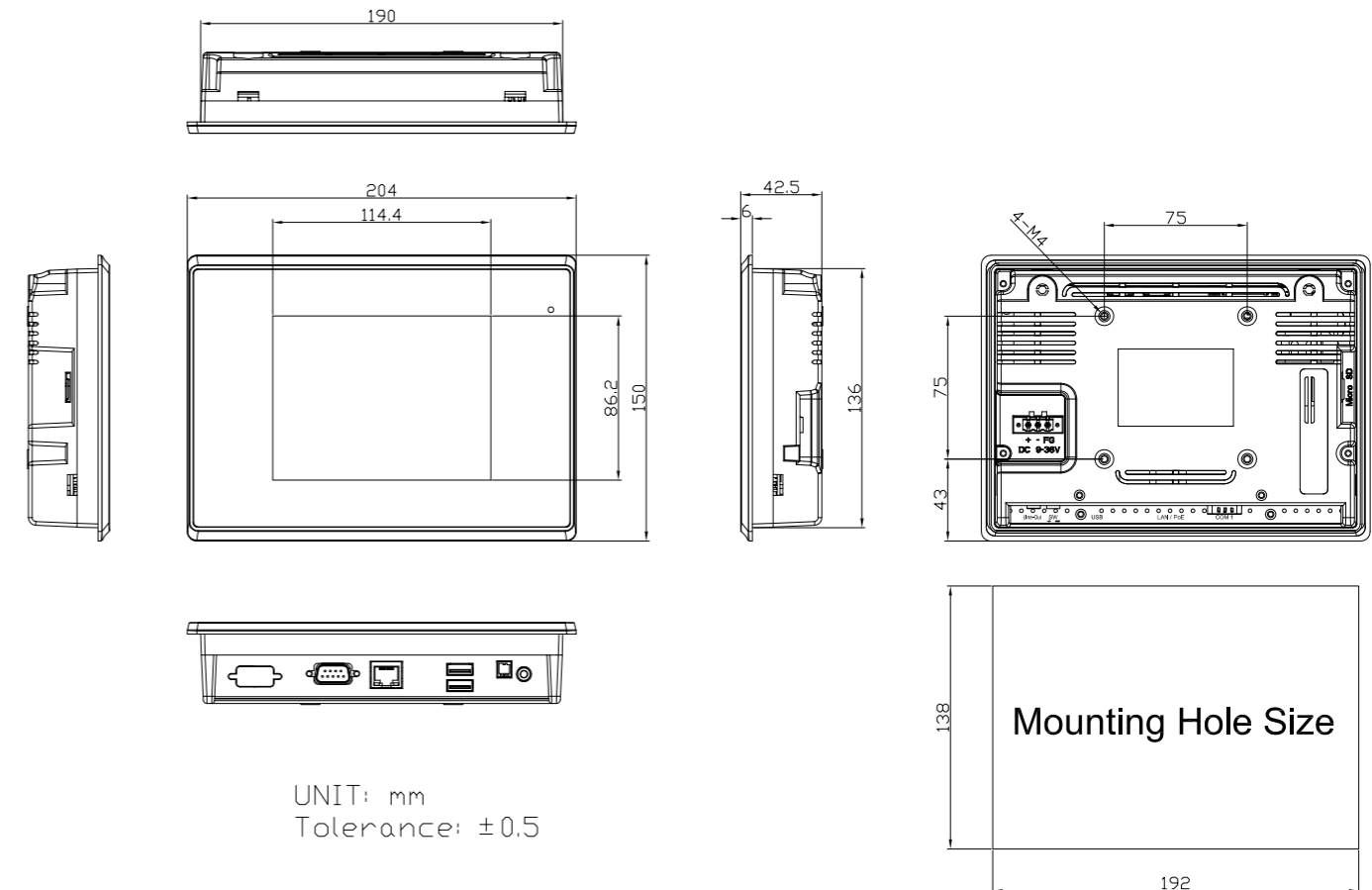
Expansion	
Onboard expansion bus	1 x mini-PCIe slot (full size)

Display	
Display Type	5.6" TFT-LCD
Max. Resolution	640 x 480
Max. Color	262K
Luminance (cd/m ²)	350
View Angle	140(H)/120(V)
Contrast	500:1
Backlight Lifetime	20,000 hrs

Touch Screen	
Type	Resistive Touch
Interface	ADC (Analog-to-Digital Converter)
Light Transmission(%)	80%

Power	
Power Input	DC 9~36V
Power Consumption	ARMPAC-505: 9W (MAX)

Dimensions



Mechanical	
Construction	Plastic front bezel and Chassis
Mounting	Panel Mount , VESA mount 75x75
IP Rating	IP65 compliant front bezel
Dimensions	204 x 150 x 42.5 mm
Net Weight	0.8 kg

Environmental	
Operating Temperature	0~50°C/ -20~60°C (option)
Storage Temperature	-30~70°C
Humidity	10 to 95% @ 40°C, non- condensing
Certificate	CE/FCC Class A/UL

Operating System Support	
Linux 4.4.12 / WEC 7	