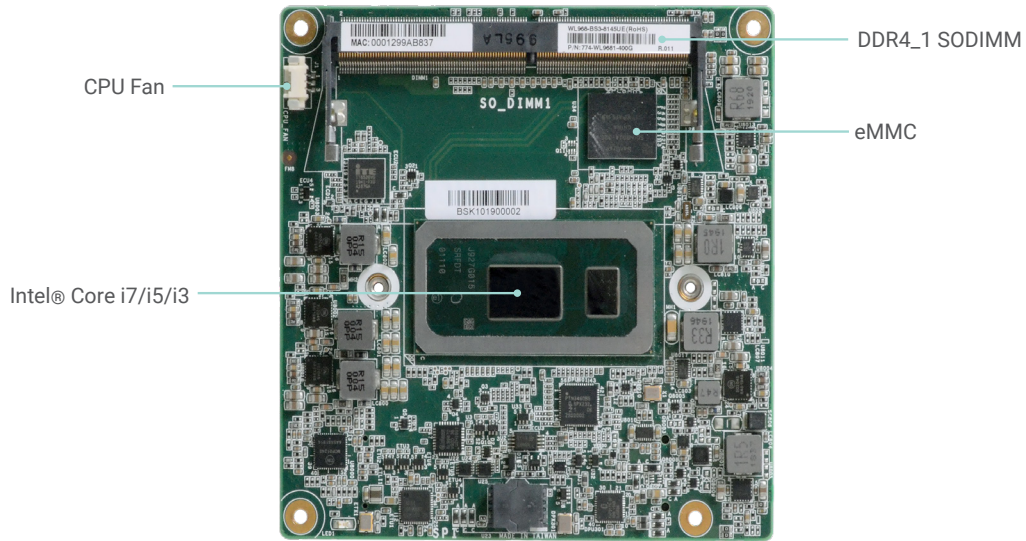


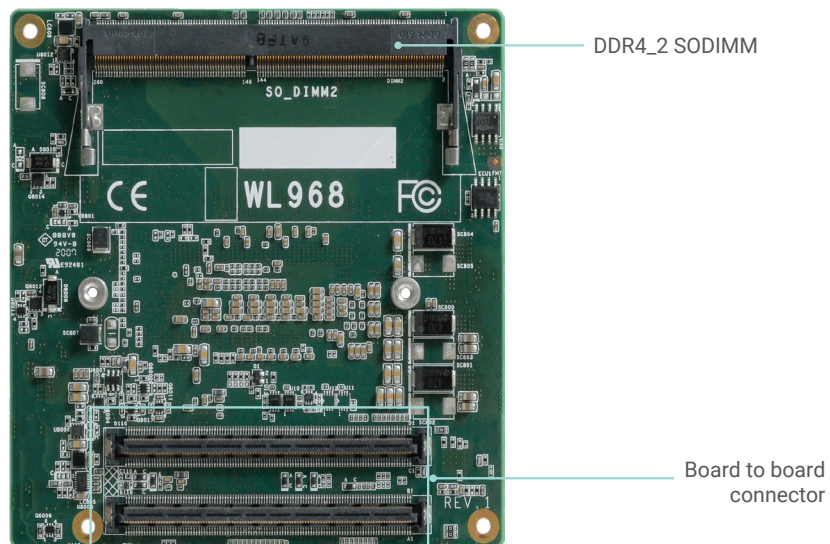
WL968

Desktop

8th Gen Intel® Core™ Processor
COM Express® Compact



Front View



Back View

KEY FEATURES



DDR4

Dual Channel DDR4
2400/2133MHz
SODIMM up to 64GB



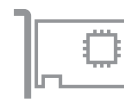
4K High Resolution

DP++ supports 4K x 2K resolution



Triple Displays

1 VGA/DDI ,
1 LVDS/eDP
4 DDI



Multiple Expansion

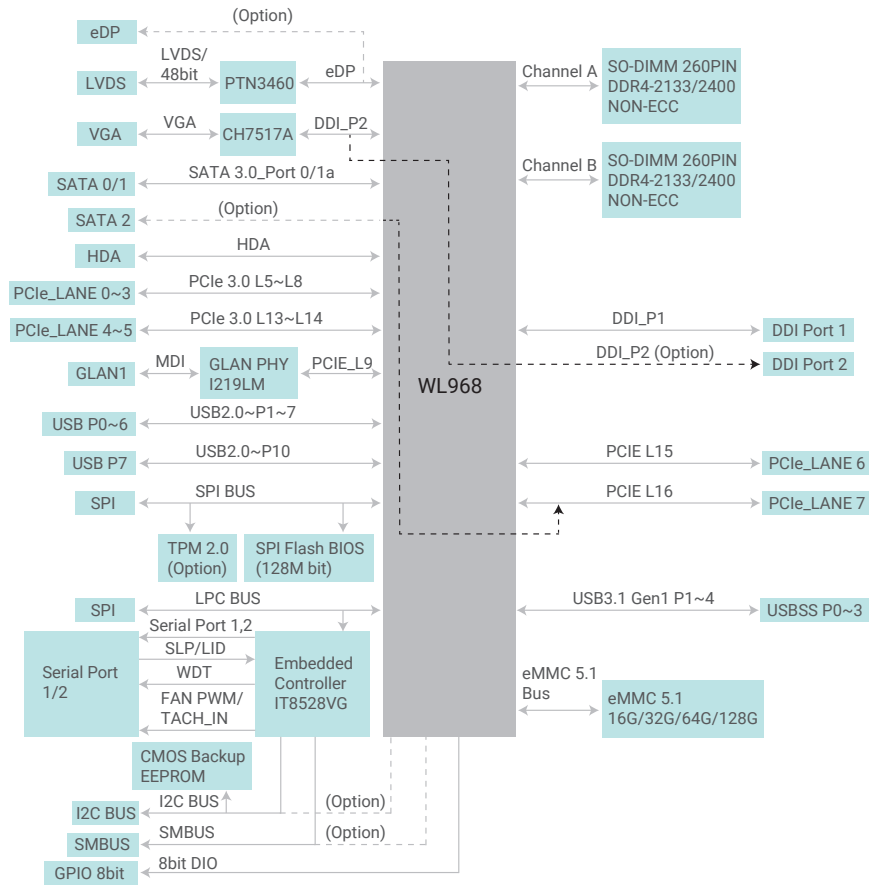
8 PCIe x 1 ,
1 LPC,
1 I²C,
1 SMBus



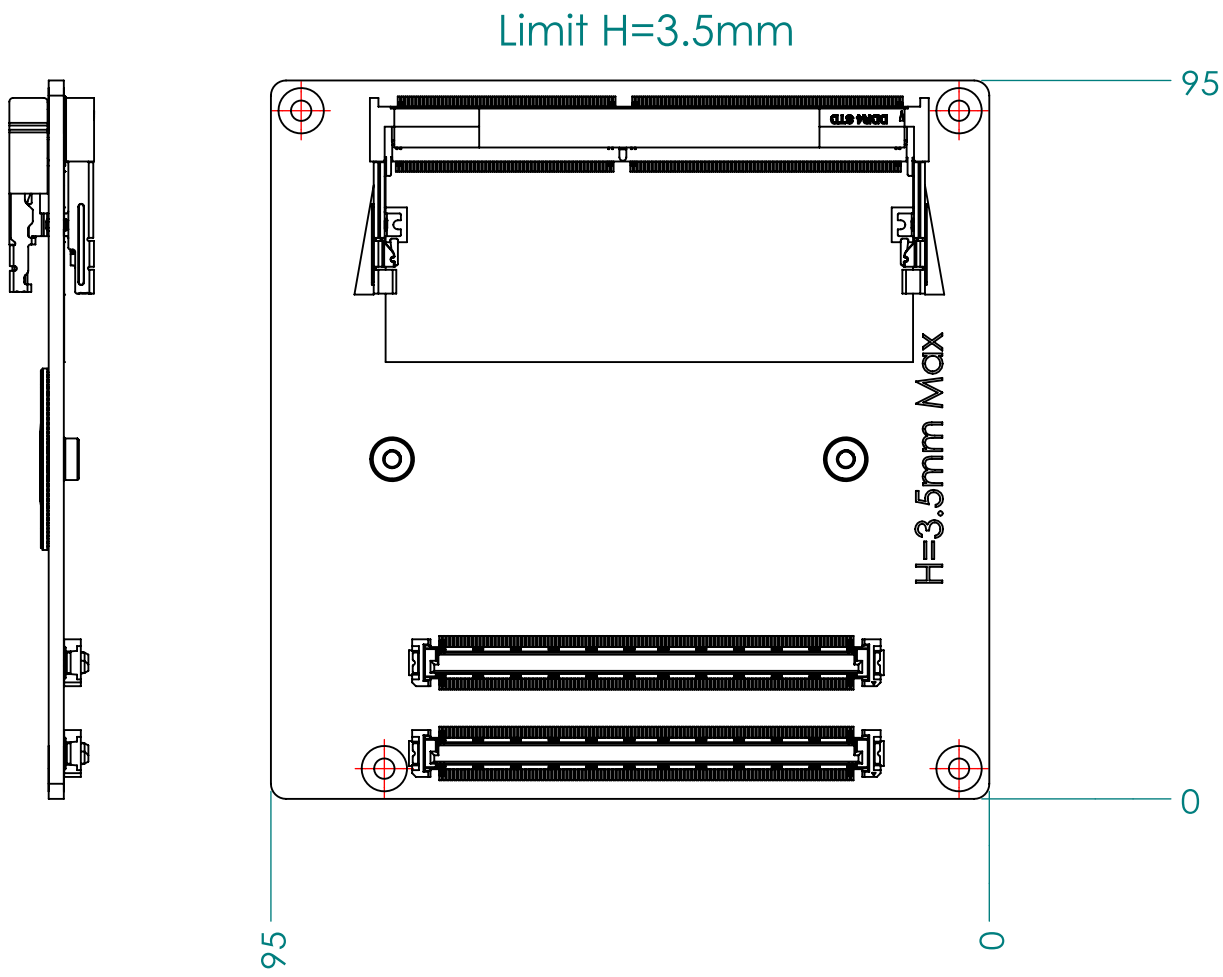
Rich I/O

1 Intel GbE,
4 USB 3.0,
8 USB 2.0

BLOCK DIAGRAM



MECHANICAL DRAWING



SPECIFICATION

System	Processor	8th Gen Intel® Core™ Processor, FCBGA1528 Intel® Core™ i7-8665UE Processor, Quad Core, 8M Cache, 1.7GHz (4.4GHz), 15W Intel® Core™ i5-8365UE Processor, Quad Core, 6M Cache, 1.6GHz (4.1GHz), 15W Intel® Core™ i3-8145UE Processor, Dual Core, 4M Cache, 2.2GHz (3.9GHz), 15W Intel® Celeron® Processor 4305UE, Dual Core, 2M Cache, 2.0GHz (2.0GHz), 15W
	Memory	Two 204-pin SODIMM up to 64GB Dual Channel DDR4 2400MHz, 2133MHz for Celeron Processor
	BIOS	AMI SPI 128Mbit
Graphics	Controller	Intel® HD Graphics
	Feature	OpenGL 4.5, DirectX 12, OpenCL 2.1 HW Decode: AVC/H.264, MPEG2, VC1/WMV9, JPEG/MJPEG, HEVC/H265, VP8, VP9 HW Encode: AVC/H.264, MPEG2, JPEG, HEVC/H265, VP8, VP9
	Display	1 x VGA/DDI (DDI available upon request)
		1 x LVDS/eDP (eDP available upon request)
		1 x DDI
VGA: resolution up to 1920x1200 @ 60Hz LVDS: dual channel 24-bit, resolution up to 1920x1200 @ 60Hz eDP: resolution up to 4096x2304 @ 60Hz HDMI: resolution up to 4096x2160 @ 30Hz DP++: resolution up to 4096x2304 @ 60Hz		
Triple Displays	VGA + LVDS + DDI DDI + eDP + DDI	
Expansion	Interface	6 PCIe x1 or 2 PCIe x1 + 1 PCIe x4 or 3 PCIe x1 + 2 PCIe x2 (support up to 5 devices and 7 lanes)
		1 x LPC
		1 x I2C
1 x SMBus		
2 x UART (TX/RX)		
eMMC	1 x 8GB/16GB/32GB/64GB/128GB eMMC 5.1 (available upon request)	
Audio	Interface	HD Audio
Ethernet	Controller	1 x Intel® I219LM with iAMT12.x PCIe (10/100/1000Mbps)
I/O	USB	4 x USB 3.0 8 x USB 2.0
		SATA
	DIO	1 x 8-bit DIO
Watchdog Timer	Output & Interval	Support COM Express 3kinds WDT Modes by BIOS setting
Security	TPM	Available Upon Request
Power	Type	12V, 5VSB, VCC_RTC (ATX mode) 12V, VCC_RTC (AT mode)
	Consumption	TBD
OS Support		Windows: Windows 10 IoT Enterprise 64-bit
		Ubuntu 18.04
ENVIRONMENT	Temperature	Operating: 0 to 60°C (For normal Temperature skus) -40 to 85°C (For Extend temperature skus with Heat spreader , Heat-sink and active Fan) Storage: -40 to 85°C
		Humidity
	MTBF	28W@25°C
MECHANICAL	Dimensions	COM Express® Compact 95mm (3.74") x 95mm (3.74")
	Compliance	PICMG COM Express® R3.0, Type 6
STANDARDS AND CERTIFICATIONS	Certification	CE, FCC, RoHS

PACKING LIST

1 WL968 board	
1 CPU Cooler (for -40 to 85°C, H=35.2mm)	A71-108124-000G
1 Heat sink (for 0 to 60°C, H=26.8mm)	A71-008151-000G

OPTIONAL ITEMS

COM332-B carrier board kit	770-CM3321-000G
Heatspreader (H=11mm)	A71-808324-000G