

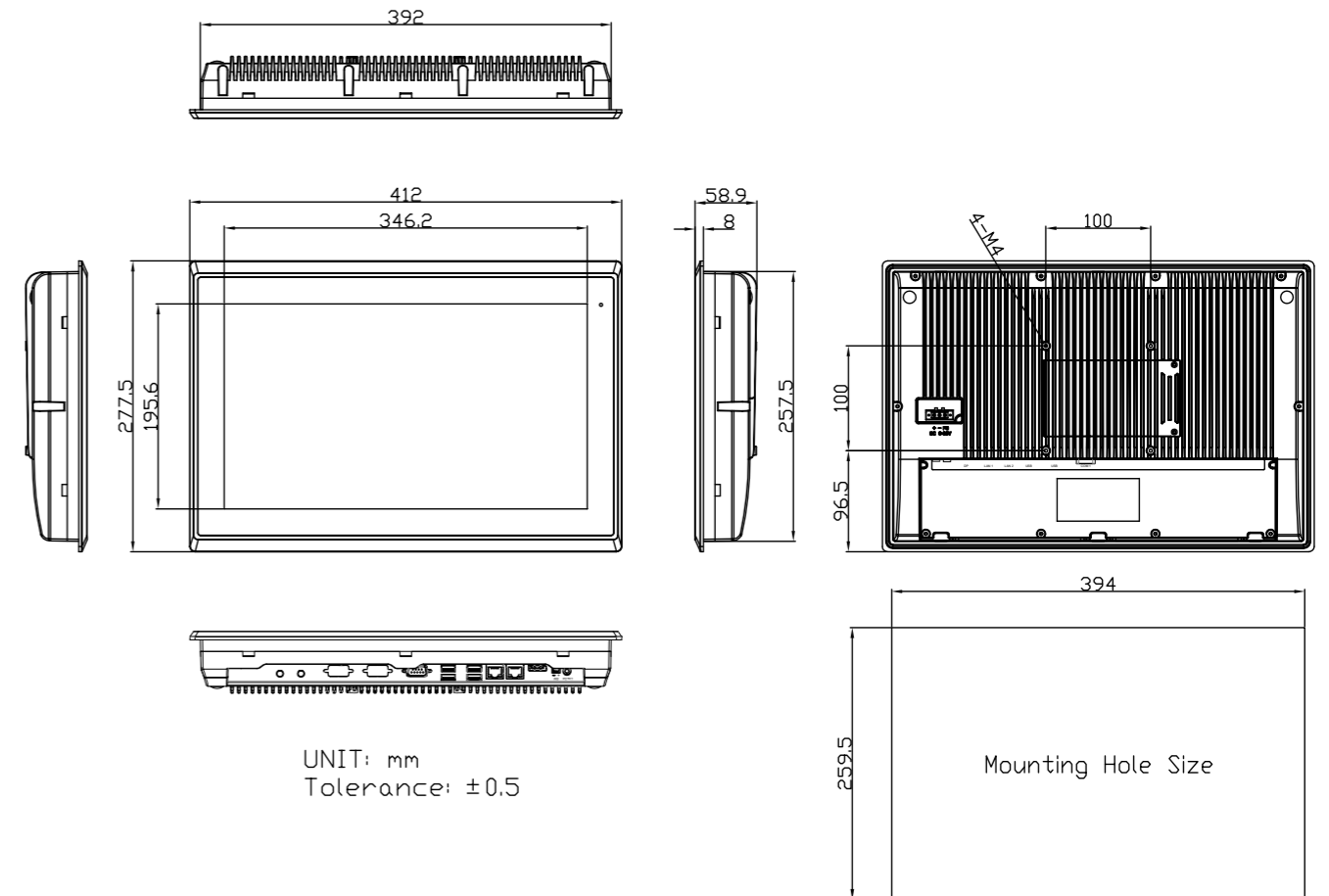
Features

- 15.6" Industrial Compact Size Panel PC
- 8th Gen. Intel Core i3/i5, CPU built-in
- 1 x 260Pin SO-DIMM DDR4 slot, up to 32GB 2400MHz
- Flat Front Panel Touch Screen with IP66 front bezel
- Fanless Design
- DC 9~36V Wide-Ranging Power Input
- Support expansion via Full-size Mini PCIe and M.2 slots
- Support TPM2.0 hardware security
- High Brightness 1,000 nits for option

Specifications

System		
CPU	8th Gen. Intel Core i3/i5 Processors Core i5-8365UE (4C/8T,1.6GHz,15W TDP) Core i3-8145UE (2C/4T,2.2GHz,15W TDP)	
System Chipset	SoC	
Memory	1 x DDR4 SO-DIMM Slot, Up to 32 GB DDR4 2400MHz	
I/O Port		
USB	4 x USB 3.0 type A 1 x DB-9 connector, including:	
Serial	* 1 x RS-232(RTS, Rx, Tx, CTS), pin1 RTS/5V/12V selectable via jumper (COM1), default * 1 x RS-232(Tx, Rx)/422/485(COM2), optional	
Audio	1 x Audio Line Out	
LAN	2 x GbE LAN RJ-45	
Power	1 x 3-pin DC Power input terminal 1 x 2-pin connectors for power on/off button	
Option	COM port Y cable (for 1 x RS-232(Tx, Rx)/422/485(COM2)) VESA Stand 4G LTE WiFi 4/5/6+ BT 4 x USB 2.0 type A (TB-528U4) 4 x USB 2.0 type A + 1 x Mini-PCIe + 1 x SIM slot (TB-528U4ME1) 2 x COM (RS-232) (TB-528C2) 1 x COM (RS-232) + 2 x USB 2.0 (TB-528C1U2) 1 x COM (RS-232) + 2 x USB 2.0 + 1 x Mini-PCIe + 1 x Power Button (TB-528C1U2P1) 2 x COM (RS-232) + 1 x Mini-PCIe slot + 1 x SIM slot (TB-528C2ME1) 2 x COM (RS-422/485, isolated) (TB-528C2I) 2 x CAN (TB-528CAN2) 1 x LAN + 2 x USB 2.0 type A (TB-528E1U2) Backup Battery 21Wh/10.8Wh/1.95Ah(3S1P)	
Storage Space		
Storage	1 x M.2 M Key slot; (Support PCIe/SATA 2242/2280, Default 2242)	
Expansion		
Expansion Slot	1 x Internal Mini-PCIe slot full size 1 x M.2 2230 E key socket for optional Wi-Fi 5/ Wi-Fi 6 module 1 x Nano SIM card holder	
Display		
Display Type	Standard	High Brightness Optional
Display Type	15.6" TFT-LCD	15.6" TFT-LCD
Max. Resolution	1366 x 768 1920 x 1080	1024 x 768
Max. Color	16.7M	16.7M/16.2M
Luminance (cd/m ²)	300 / 450	1000
View Angle	160(H)/160(V) 178(H)/178(V)	160(H)/160(V) 176(H)/176(V)
Contrast	500:1 / 800:1	500:1
Backlight Lifetime	50,000 hrs	50,000 hrs

Dimensions



Touch Screen	
Type	Resistive Touch (for BR Model) Projected Capacitive Touch (for BP Model)
Interface	USB
Light Transmission(%)	Resistive Touch: 80% Projected Capacitive Touch: 90%
Power	
Power Input	DC 9~36V
Power Consumption	TBD
Mechanical	
Color	RAL 9007
Construction	Aluminum die-casting chassis
Mounting	Panel Mount, VESA 100 x 100
Dimensions (WxHxD)	412 x 277.5 x 58.9 mm
IP Rating	Front Panel IP66
Net Weight	TBD
Environmental	
Operating Temperature	0~50°C / -20~60°C (option)
Storage Temperature	-30~70°C
Humidity	10 to 95%@ 40°C, non-condensing
Certificate	CE / FCC, Class A
Operating System Support	
Win10 IoT, Win11 IoT	