



Features

- Rugged engineering plastics enclosure and fanless design
- High brightness LED backlight LCD
- Intel® Atom™ Processor E3845
- 4G DDR3L memory on board
- Wide range 6~36V DC power input
- Total 6 sides IP66
- Resistive Touch, Projected Capacitive Touch screen is for option
- Front function keyboard (programmable F1~F6) with power button

Specifications

System	
CPU	Intel® Atom™ Processor E3845(2M Cache, 1.91GHz)
Memory	Onboard 4GB DDR3L Memory
Function Keypad	7 keys (F1~F6 with Power Button) Default General Keyboard F1~F6 key, Programmable other define
Speaker	1 x 2W IP65 Speaker
I/O Port	
Standard I/O	IP66 I/O connector: 1 x M12 for 2 x USB 2.0 1 x M12 for LAN 1 x M12 for RS-232/422/485, default RS-232 1 x DC power input (6~36V) by M12 connector 1 x SMA connector for option GPS antenna 1 x Power LED front touch panel (Green)

Expansion	
Expansion Slot	1 x Mini-PCIe full size for option 3G/LTE/GPS 1 x Mini-PCIe half size slot for option WIFI/BT 1 x SIM slot on board

Storage Space	
Storage	1 x Micro SD on board 1 x mSATA MO-300 slot

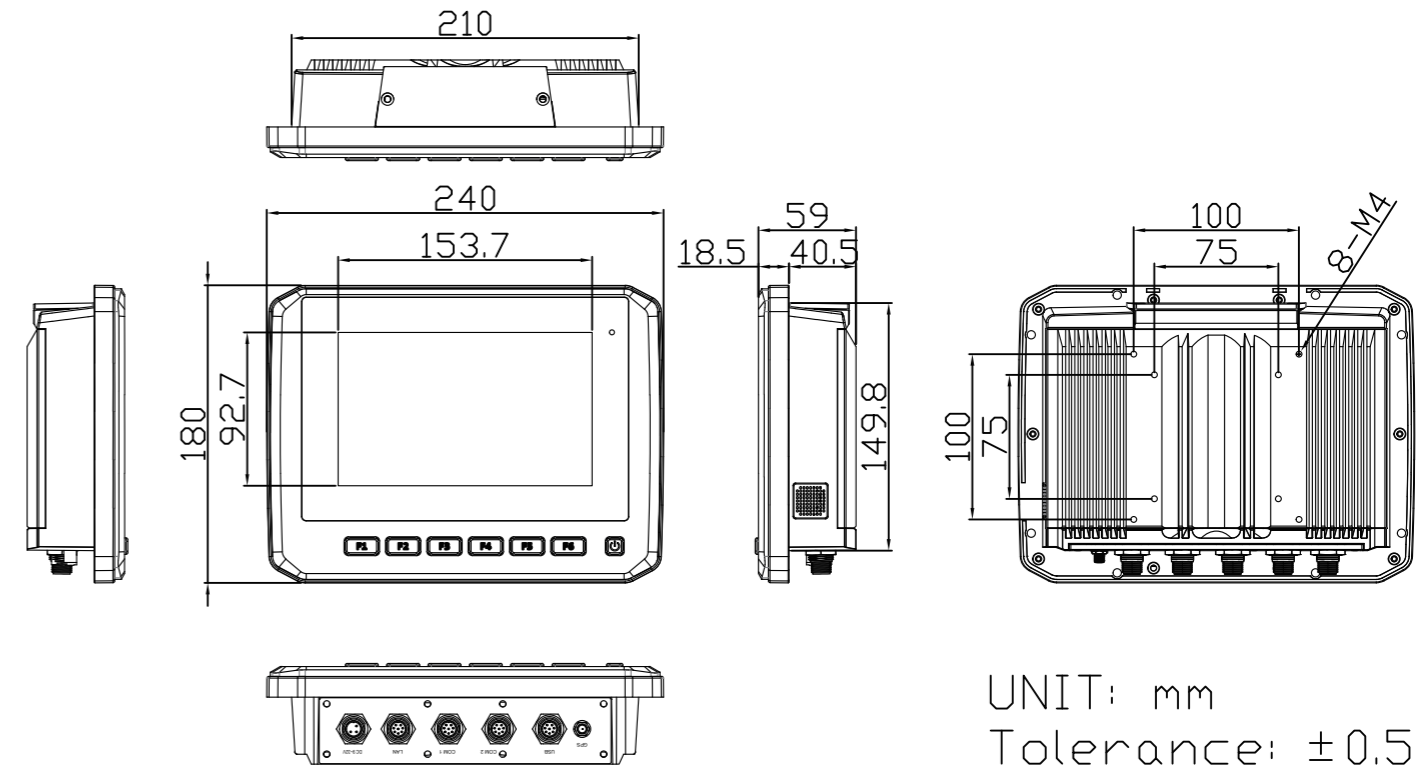
LCD	
Display Type	7" color TFT LCD
Max. Resolution	800 x 480
Max. Color	262K
Contrast Ratio	400:1
Luminance (cd/m ²)	600 (option 1000nits)
View Angle	140(H) / 130(V)
Backlight Lifetime	50,000 hrs

Touch Screen – Resistive Touch Window Type (Option)	
Interface	USB
Light transmission (%)	Over 80%

Touch Screen – Projected Capacitive Touch Screen (Default)	
Interface	USB
Light transmission (%)	Over 90%

Power	
Power input	6~36V DC (Default)
Optional Power	6~36V DC + Ignition / VCC Power
Power Consumption	MAX: 15W

Dimensions



UNIT: mm
Tolerance: ±0.5

Mechanical	
Construction	Aluminum front bezel and plastic back cover with Alu. Heatsink.
Mounting	Support VESA Mount 75 x 75/100 x 100/ Adjustable Stand (option)
IP Rating	Total IP66
Dimension	240 x 180 x 59 mm
Net Weight	2.1 Kg

Environmental	
Operating temperature(°C)	0~50°C WT1: -20°C~60°C for option
Storage temperature(°C)	-30~80°C
Storage humidity	10 to 90% @ 40°C, non- condensing
Certificate	CE / FCC Class A / MIL810F / IEC60068-2-27 for vibration / Shock

Operating System Support	
Windows 7 Professional for Embedded Systems	
Windows 7 Ultimate for Embedded Systems	
Windows Embedded 8.1 Pro	
Windows Embedded 8.1 Industry Pro	
Windows 10 IOT 2016	

Ordering Information	
APC-3072T-01	7" WVGA total IP66 design aluminum panel PC, Intel Atom Processor E3845, DDR3L 4G on board, 8G SLC mSATA, with projected capacitive touch, 6~36V DC power input with adapter, aluminum front bezel and plastic back cover with Alu. Heatsink.