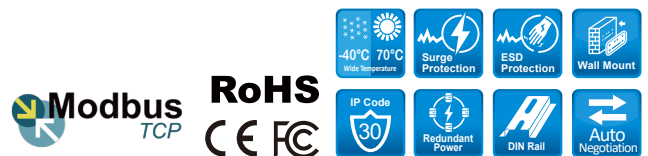


INS-8415

Unmanaged 5 x 10/100/1000 RJ45 & 1 x GbE SFP Industrial Switch

Description

The INS-8415 is a Unmanaged Industrial Switch specifically designed to suit your heavy industrial environments and contains all necessary standard features to deploy in automation systems. Engineered with hardened components and enclosed in a rugged IP30 metal case, the INS-8415W can operate in industrial temperatures from -40°C to 70°C and also has excellent tolerance capability to high vibration and shock. Furthermore, switch features 5 10/100/1000Base-T ports and 1 Gigabit SFP slot to satisfy new and evolving network demands of gigabit transmission in longer distance via its fiber port.



Features Highlight

Robust Performance and Protection

Well-protected in an IP30 metal casing, the switch provides high level of immunity against EMI and EMS found in industrial environments. Along with those, the INS-8415 is built with various protection features such as ESD Protection, Surge Protection, Over Voltage/Current Protection, Reverse Polarity Protection and Short Circuit Protection to ensure continuous operation of mission-critical applications even in unstable power conditions.

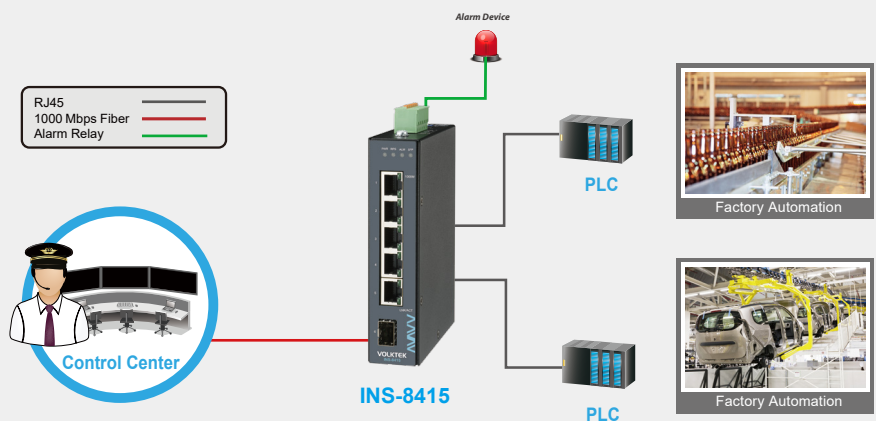


Simplified Installation w/ Compact Size

The INS-8415 provides varied choice of deployment locations even in small places, harsh environments with its wall-mount, rack-mount and desktop options in a quick and easy way by its compact size and no configuration required. Every INS-8415 is equipped with auto MDI/MDI-X on all ports for simple connection to other switches and hubs.

Applications

The INS-8415 is compatible with 10/100/1000Mbps through RJ45 transceivers to guarantee a strong & stable connection of Ethernet, Fast Ethernet or Gigabit Ethernet, providing flexible deployment options to satisfy industrial networking requirements



Specifications

Standards	
IEEE 802.3	10Base-T
IEEE 802.3u	100Base-TX
IEEE 802.3ab	1000Base-T
IEEE 802.3z	1000Base-SX/LX
IEEE 802.3x	Flow Control
IEEE 802.3az	Energy Efficient Ethernet (EEE)
Performance	
Switch Fabric	12Gbps
L2 Forwarding	8.93Mpps
Power	
Input Voltage	Primary: 20~57V DC Redundant: 20~57V DC
Connection	4-pin mini-DIN 6-pin Terminal block
Power Input Polarity Protection	Present
Power Voltage Drop Alarm	Primary/Redundant Power Input
Alar Relay	One relay output with current carrying capacity of 1 A @ 24V DC
Power Consumption	10W (max)
Interface	
Ports	1 x Gigabit SFP slot 5 x 10/100/1000Base-T (RJ45)
Mechanical and Environment	
Housing	Metal Case (IP30 protection)
Mounting	DIN-Rail, Wall Mount (Optional)
Operating Temperature	-40°C~70°C
Storage Temperature	-10°C~85°C
Operating Humidity	5 to 95% RH (non-condensing)
Storage Humidity	5 to 95% RH (non-condensing)
Weight	510g
Dimension (WxHxD)	31x136x105 mm (1.22x5.36x4.14 in)
DIP Switch	Primary/Redundant Power Voltage Drop Alarm setting
LED Panel	PWR, RPS, ALM, SFP, 1000, LNK/ACT

Certifications	
EMI	FCC Part 15 Subpart B Class A EN 55011 class A EN 55032 class A EN 61000-6-4
	EN 61000-6-2 EN 55024 EN 61000-4-2 (ESD) EN 61000-4-3 (RS) EN 61000-4-4 (Burst) EN 61000-4-5 (Surge) EN 61000-4-6 (CS) EN 61000-4-8 (PFMF)
	EN 61000-6-2
EMS	EN 61000-4-2 (ESD) EN 61000-4-3 (RS) EN 61000-4-4 (Burst) EN 61000-4-5 (Surge) EN 61000-4-6 (CS) EN 61000-4-8 (PFMF)
Shock	IEC 60068-2-27
Freefall	IEC 60068-2-32
Vibration	IEC 60068-2-6
Ordering Information	
INS-8415	Unmanaged 5 x 10/100/1000 RJ45 & 1 x GbE SFP Industrial Switch, -40°C ~ 70°C
Optional Accessories	
Power Supply	SDR-120-48: 120W DIN-Rail 48VDC Industrial Power Supply, -25°C~70°C
GBM-104	1000Base-SX 1.25G, Multi-mode SFP, 500m
GBM-123TS	1000Base-LX, Bi-Di SFP TX:1310/RX:1550 Single Mode, 10Km, 0°C~70°C / 32°F~158°F
GBM-123RS	1000Base-LX, Bi-Di SFP TX:1550/RX:1310 Single Mode, 10Km, 0°C~70°C / 32°F~158°F

Note :

* The SFP communication distance upon the request.

* Industrial SFP with wide operating temperature is available upon request.

* Specifications subject to change without notice.

Dimension

