

Features

- Intel Celeron N2930 Processor
- SUS 316 Stainless Steel
- Total IP66 Grade with M12 Waterproof Connector
- Variety of IO applications
- WLAN for Option
- Wide range DC 9~36V Power Input
- Support Panel Mount & VESA Mount
- Fanless Design
- ATEX Zone2, IECEx and C1D2 Certified



Specifications

System	
CPU	Onboard Intel Celeron N2930 Processor (2M Cache, 1.83GHz)
System Chipset	SoC
Memory	Onboard 4GB DDR3L SDRAM Onboard 8GB DDR3L SDRAM (option)

IO Port	
USB	1 x M12 8-pin for 2 x USB 2.0 with waterproof cover and chain
Serial/Parallel	1 x M12 8-pin for COM1, RS-232/422/485, default RS-232, with waterproof cover and chain
Graph	1 x M12 12-pin for VGA with waterproof cover and chain
LAN	2 x M12 8-pin for LAN with waterproof cover and chain
Power	1 x M12 3-pin for DC power with waterproof cover and chain

Storage Space	
Storage	1 x 2.5" SATA3 HDD space
Movable device	1 x internal SD card slot onboard

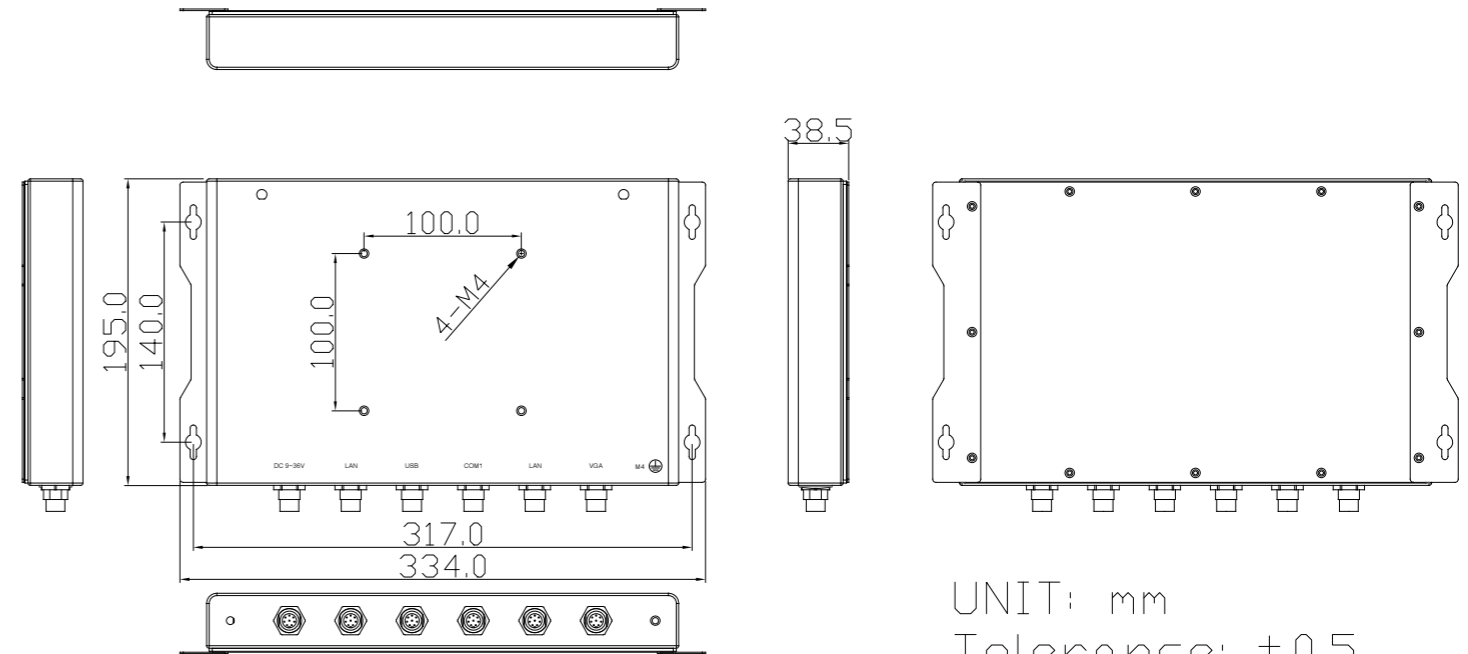
Expansion	
Expansion Slot	1 x Mini-PCIe slot (full size) for option WLAN/BT module

Power	
Power Input	DC 9~36V
Power Consumption	MAX: 15.9W

Mechanical	
Construction	316 Stainless Steel Chassis
Mounting	VESA mount 100 x 100, Wall mount
IP Rating	Total IP66
Dimensions	334 x 195 x 38.5mm
Net Weight	4.0 kg

Environmental	
Operating Temperature	-20~ 60°C
Storage Temperature	-30~ 70°C
Storage Humidity	10 to 90%@ 40°C, non-condensing
Certificate	CE / FCC Class A ATEX Zone2 Ex nA IIC T4 Gc Class I, Division 2, Group ABCD T4 ANSI/ISA 12.12.01-2013 CSA Std. C22.2 No213-1987

Dimensions



UNIT: mm
Tolerance: ±0.5

Operating System Support	
Windows 7 Pro for Embedded	
Windows Embedded Standard 7	
Windows Embedded 8.1 Industry Pro	
Windows Embedded 8 Standard	
Windows 10 IoT ENT LTSC	

Ordering Information	
AEx-2410	Fanless Box PC module, Intel Celeron N2930 1.8G CPU fan less panel PC, 8GB DDR3L memory on board, 1 x 128GB 2.5" MLC SSD, 1 x 64GB mSATA GMLC SSD, Projected capacitive touch, DC9~36V power input with power adapter, 316 stainless steel enclosure, support VESA Mount, WT-20~60 Accessory : 1 x M12 for 2 x USB2.0 Cable, 2 x M12 LAN cable, 1 x M12 COM Cable, 1 x VGA Cable, 1 x 3pin power input cable (w/o Adapter)