

## SEN-9425P-24V-SS

Unmanaged 4 x 10/100/1000 PoE+ & 1 x 10/100/1000 RJ45 & 2 x GbE SFP Switch, Aluminum

### Description

To enforce the IP surveillance and provide sufficient power to PD devices Volktek introduces SEN-9425P-24V-SS, unmanaged PoE+ switch designed for reliable network connectivity even in substation environment. SEN-9425P-24V-SS secured with IEEE 1613 and IEC 61850-3 certificates guarantee trustworthy operation in critical environments where vibration and shock are common place. With IP30 protection it exhibits extreme tolerance in harsh temperature environment ranging from -40°C to 75°C.

Since industrial applications use 24V as their input voltage, SEN-9425P-24V-SS is built with 24V input and its Power Booster technology boosts power up to 30W per port with available 24V voltage. IEC 61850 standard prioritize the packets based on GOOSE and SMV type for mission-critical operation by default. Simple set up with no software or additional configuration needed, SEN-9425P-24V-SS proves to be a perfect solution for round the clock surveillance in hard-to-reach locations.



**RoHS** **CE** **FC**



### Features Highlight

#### Robust Switch Performance

SEN-9425P-24V-SS is enclosed within IP30 aluminum case and can able to sustain harsh temperature ranging between -40°C ~ 75°C. Besides, the switch is built with various protection features such as ESD Protection, Surge Protection, and Power Consumption Protection to deliver non-stop PoE service to the Powered Devices. Eventually, these features reduce the replacement cost of damaged units.

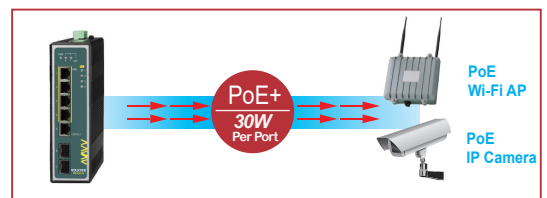


#### Efficient Power Booster Support

There are many places such as small factories, workstations where the voltage supply is not sufficient for PoE operation. Hence to deal with this situation, SEN-9425P-24V-SS is designed with innovative power booster technology which can support DC voltage input 24VDC~57VDC for IP surveillance saving additional cost and space for an external voltage converter.

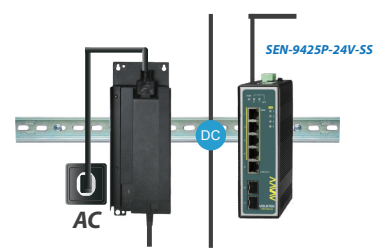
#### High-Power Budget for PoE Network Devices

SEN-9425P-24V-SS is capable of delivering PoE power up to 30W per port (IEEE 802.3af/at) to PoE+ compliant powered devices (PDs). Addition to this, the switch allows simple "plug and play" PoE for various types of high power consuming PoE devices to scale up the network. Thereby, irrespective of their location, powered devices can be powered without installing additional power outlets or cabling and significantly reduce your CAPEX.



#### Hardened DIN-Rail-mounted Power Adapter (AC to DC)

SEN-9425P-24V-SS is designed with 4-pin mini-DIN power connector and adjustable DIN-Rail power holder which can easily power up the PDs and prevents from accidental power shutdown due to losing power.

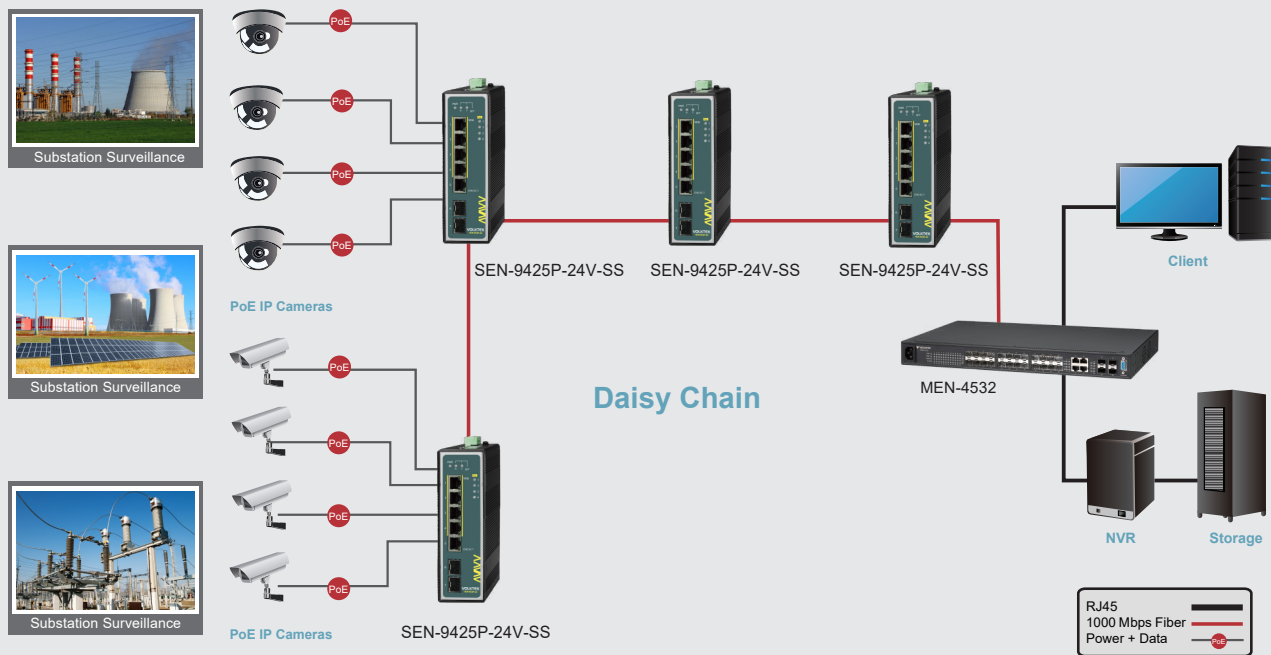




## Surveillance Applications

### Sufficient PoE Power with Cost-saving Fiber Connectivity

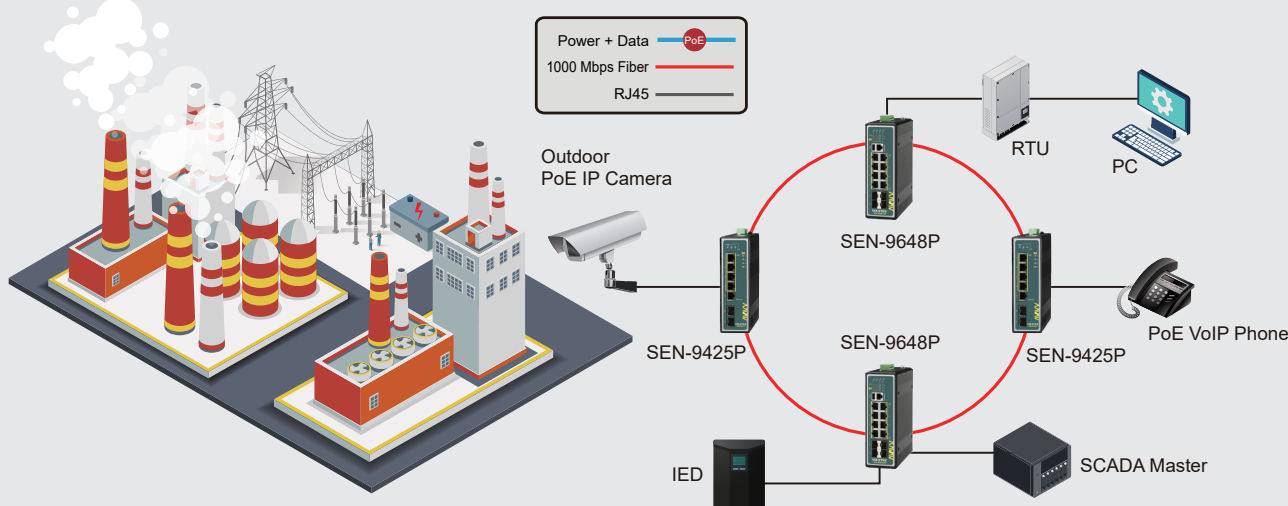
The intelligent PoE+, compactable size, rugged design of SEN-9425P-24V-SS ensure continuous operations in some special requirements for transportation, factory and outdoor places where high vibration degree, shock, and wide range temperatures are present. Addition to this the dual Gigabit SFP ports which can easily make daisy chain topologies to power more number of PoE+ enable power devices to expand the network connection and saves the amount of fiber cabling connecting to the control room as well. Due to daisy chain architecture, only a single fiber connects to the control room which in turn saves CAPEX.



## Applications

### Scalable Ethernet for IP Surveillance

The SEN-9425P-24V-SS is compatible with 10/100/1000Mbps through RJ45 transceivers to guarantee a strong, stable connection of Ethernet, Fast Ethernet or Gigabit Ethernet, providing flexible deployment options to satisfy harsh and much-demanding surveillance requirements. With the innovative design of Volktek's Xpress Ring, multiple numbers of SEN-9425P-24V-SS switches are connected to expand the network with more number of PoE devices without any additional power supply. This unique design enables a reliable, and long-distance surveillance system for the IPcam surveillance including Substation-platform monitoring, and side-walk surveillance applications.



## Specifications

Standards	
IEEE 802.3	10BASE-T
IEEE 802.3u	100BASE-TX
IEEE 802.3ab	1000BASE-T
IEEE 802.3z	1000BASE-SX/LX
IEEE 802.3x	Flow Control
IEEE 802.3af	PoE
IEEE 802.3at	PoE plus
Performance	
Throughput	14,880 pps to 10 Mbps ports 148,800 pps to 100 Mbps ports 1,488,000 pps to 1000 Mbps ports
Switch fabric	14Gbps
MAC table size	8K
Jumbo Frame size	10K
Power	
Input Voltage	24~57VDC
Connection	2-pin Terminal Block
Power Input Polarity Protection	Present
Power Consumption	14W (System)
PoE+ Functions	
PoE+ Functions	Up to 4 IEEE 802.3at powered devices Supports PoE Power up to 30W for each PoE port Auto detect powered device (PD) Remote Power Feeding up to 100m
Interface	
Ports	4 x 10/100/1000BASE-T (PSE) 1 x 10/100/1000BASE-T (RJ45) 2 x Gigabit SFP Slots

\*Specifications subject to change without notice.

\*Industrial SFP with wide operating temperature from -40°C~85°C is available upon request

Mechanical and Environment		
Housing	Aluminum Case (IP30 protection)	
Mounting Kit	DIN-Rail, Wall Mount/Rack-mount	
Operating Temperature	-40°C~75°C	
Storage Temperature	-40°C~85°C	
Operating Humidity	5 to 95% RH (non-condensing)	
Storage Humidity	5 to 95% RH (non-condensing)	
Weight	869g	
Dimension (WxHxD)	50x160x120 mm (1.97x6.3x4.72 inch)	
LED Panel	PWR, SFP, PoE, 1000, LNK/ACT	
Standards and Certifications		
CE	EMI	FCC Part 15 Subpart B Class A EN 55022 : class A EN 55011 : 2009 class A EN 61000-6-4
	EMS	EN 55024 EN 61000-6-2 EN 61000-4-2 ( ESD ) EN 61000-4-3 ( RS ) EN 61000-4-4 ( Burst ) EN 61000-4-5 ( Surge ) EN 61000-4-6 ( CS ) EN 61000-4-8 ( PFMF )
Shock	IEC 60068-2-27	
Freefall	IEC 60068-2-32	
Vibration	IEC 60068-2-6	
Power Substation	IEEE1613 IEC61850-3	
Optional Accessories		
Power Supply	SDR-240P-48: 240W, 48V DC, 240W Single Output Industrial DIN Rail with PFC Function	
Power Adapter	GST-160: 160W, 52V, Industrial Grade AC Power Adapter for PoE Switch, -30°C ~ 70°C	
DIN-Rail Holder	DR-160 (for GST-160)	
GBM-104	1000BASE-SX 1.25G, Multi-mode SFP, 500m	
GBM-104-2	1000BASE-SX 1.25G, Multi-mode, 3.3V, 1310nm, 2Km	
GBM-104-10	1000BASE-LX 1.25G, Single mode SFP, 10Km	
GBM-123	1000BASE-LX Bi-di Single Mode SFP Module, 10Km	

## Dimension

