

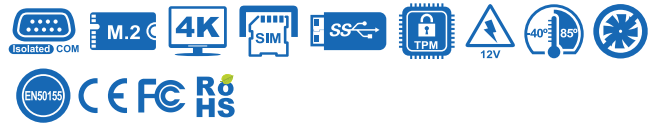
SPC-4010

Intel® Atom™ E3950 Processor (Apollo Lake) Ultra-compact Fanless Embedded Box PC, 2 LAN, 6 USB, 2 Isolated COM, 16 GPIO, -40°C to 85°C, Rugged, High Performance, Extended Temperature



Features

- Quad Core Intel Atom® x7-E3950 SoC (Apollo Lake-I) supports lower power consumption
- Fanless, -40°C to 85°C Operating Temperature
- Supports HDMI & VGA Dual Display, up to 4K resolution
- DDR3L 1866MHz memory supports up to 8GB
- 2 GigE LAN support IEEE 1588 (PTP)
- 2 Isolated COM RS-232/422/485
- 16 GPIO, 6 USB, 1 SIM Socket
- 2 Mini PCIe, 1 SATA III
- SIM Socket for WiFi/4G/3G/LTE/GPRS/UMTS
- 12V DC Power Input
- TPM 2.0 supported



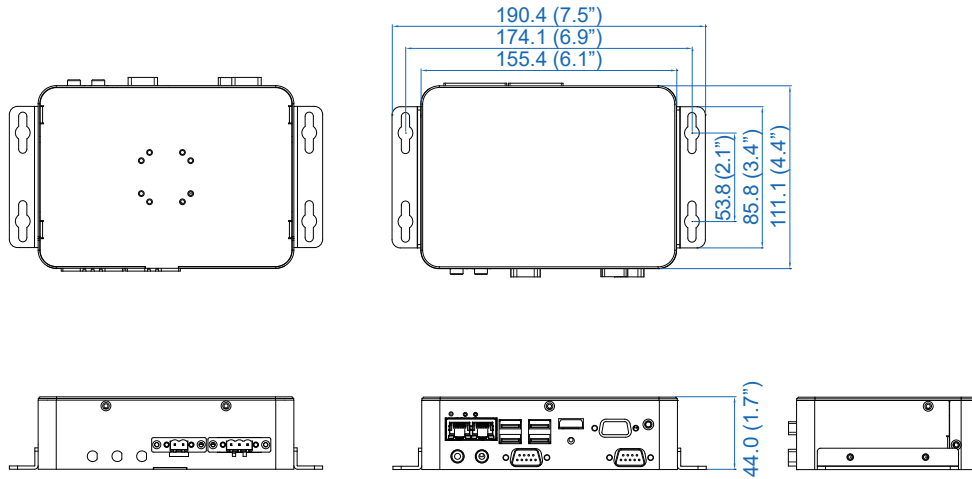
Specifications

| System | |
|--------------------|---|
| Processor | Intel Atom® x7-E3950 Processor (Apollo Lake-I) |
| Chipset | Intel® SoC (Apollo Lake) |
| BIOS | AMI |
| SIO | IT8786E |
| Memory | 1 DDR3L 1866MHz SO-DIMM, up to 8GB |
| I/O Interface | |
| Serial | 2 Isolated COM RS-232/422/485 |
| USB | <ul style="list-style-type: none"> ▪ 2 USB 3.0 (External) ▪ 4 USB 2.0 (2 External, 2 Internal) |
| LED | Power, HDD, Wireless |
| SIM Card | 1 Internal SIM Card Socket |
| Expansion | |
| Mini PCIe | Mini PCIe Socket : <ul style="list-style-type: none"> ▪ 1 Mini PCIe for PCIe/USB/SIM Card ▪ 1 Mini PCIe for PCIe/USB/Optional Msata |
| Graphics | |
| Graphics Processor | Intel® HD Graphics 505 |
| Interface | <ul style="list-style-type: none"> ▪ HDMI : Up to 3840 x 2160 @30Hz (lockable) ▪ VGA : Up to 1920 x 1440 @60Hz |
| Storage | |
| SATA | 1 SATA III (6Gbps) |
| mSATA | 1 SATA III (Mini PCIe Type, 6Gbps) |
| Storage Device | 1 2.5" SSD/HDD Bracket (Internal) |
| Audio | |
| Audio Codec | Realtek ALC892, 5.1 Channel HD Audio |
| Audio Interface | 1 Mic-in, 1 Line-out |
| Ethernet | |
| LAN 1 | Intel® I210 GigE LAN supports IEEE 1588 |
| LAN 2 | Intel® I210 GigE LAN supports IEEE 1588 |

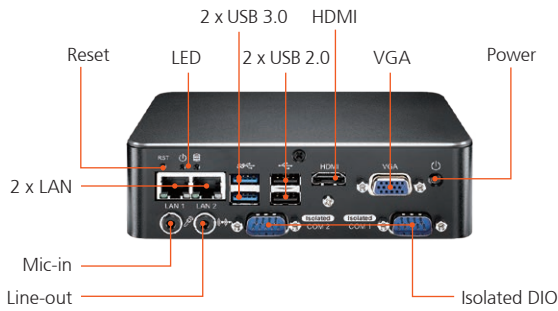
| Power | |
|------------------------|---|
| Power Input | Single 12V DC Power Input |
| Power Interface | 3-pin Terminal Block : V+, V-, Frame Ground |
| Remote Switch | 2-pin Terminal Block |
| Others | |
| TPM | Optional Infineon SLB9665 supports TPM 2.0, LPC Interface |
| Watchdog Timer | Reset : 1 to 255 sec./min. per step |
| HW Monitor | Monitoring temperature, voltages. Auto throttling control when CPU overheats. |
| Software Support | |
| OS | Windows 10, Linux |
| Mechanical | |
| Dimensions (W x L x H) | 155mm x 110mm x 44mm (6.1" x 4.3" x 1.7") |
| Weight | 0.8 kg (1.84 lb) |
| Mounting | <ul style="list-style-type: none"> ▪ Wallmount by mounting bracket ▪ DIN Rail Mount (Optional) ▪ 2U Rackmount (Optional) |
| Environment | |
| Operating Temperature | -40°C to 85°C (-40°F to 185°F) |
| Storage Temperature | -40°C to 85°C (-40°F to 185°F) |
| Humidity | 5% to 95% Humidity, Non-condensing |
| Relative Humidity | 95% at 85°C |
| EMC | CE, FCC, EN50155, EN50121-3-2 |

Dimensions

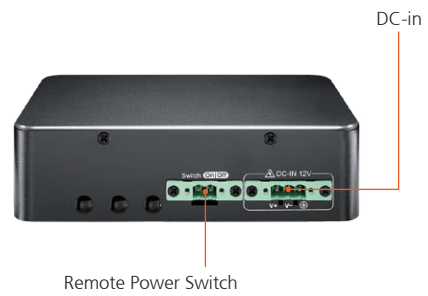
Unit : mm/ inch



Front I/O



Rear I/O



Order Information

| | |
|-----------------|---|
| SPC-4010 | SPC-4000, onboard Intel Atom® E3950, 2 GigE LAN, 6 USB, 2 Isolated COM, 1 SIM, Single 12V DC-in |
|-----------------|---|

Accessories

| | |
|-----------------------------|---|
| DDR3L 8G | Certified DDR3L 8GB 1866MHz SO-DIMM |
| DDR3L 4G | Certified DDR3L 4GB 1866MHz SO-DIMM |
| PWA-160W-WT | 160W, 12V, 85V AC to 264V AC Power Adapter with 3-pin Terminal Block, Wide Temperature -30°C to +70°C |
| PWA-120W | 120W, 12V, 90V AC to 264V AC Power Adapter with 3-pin Terminal Block |
| TMK2-20P-100 | Terminal Block 20-pin to Terminal Block 20-pin Cable, 100cm |
| TMK2-20P-500 | Terminal Block 20-pin to Terminal Block 20-pin Cable, 500cm |
| TMB-TMBK-20P | Terminal Board with One 20-pin Terminal Block Connector and DIN-Rail Mounting |
| 4G Module | Mini PCIe 4G/GPS Module with Antenna |
| WiFi & Bluetooth | WiFi & Bluetooth Module with Antenna |