

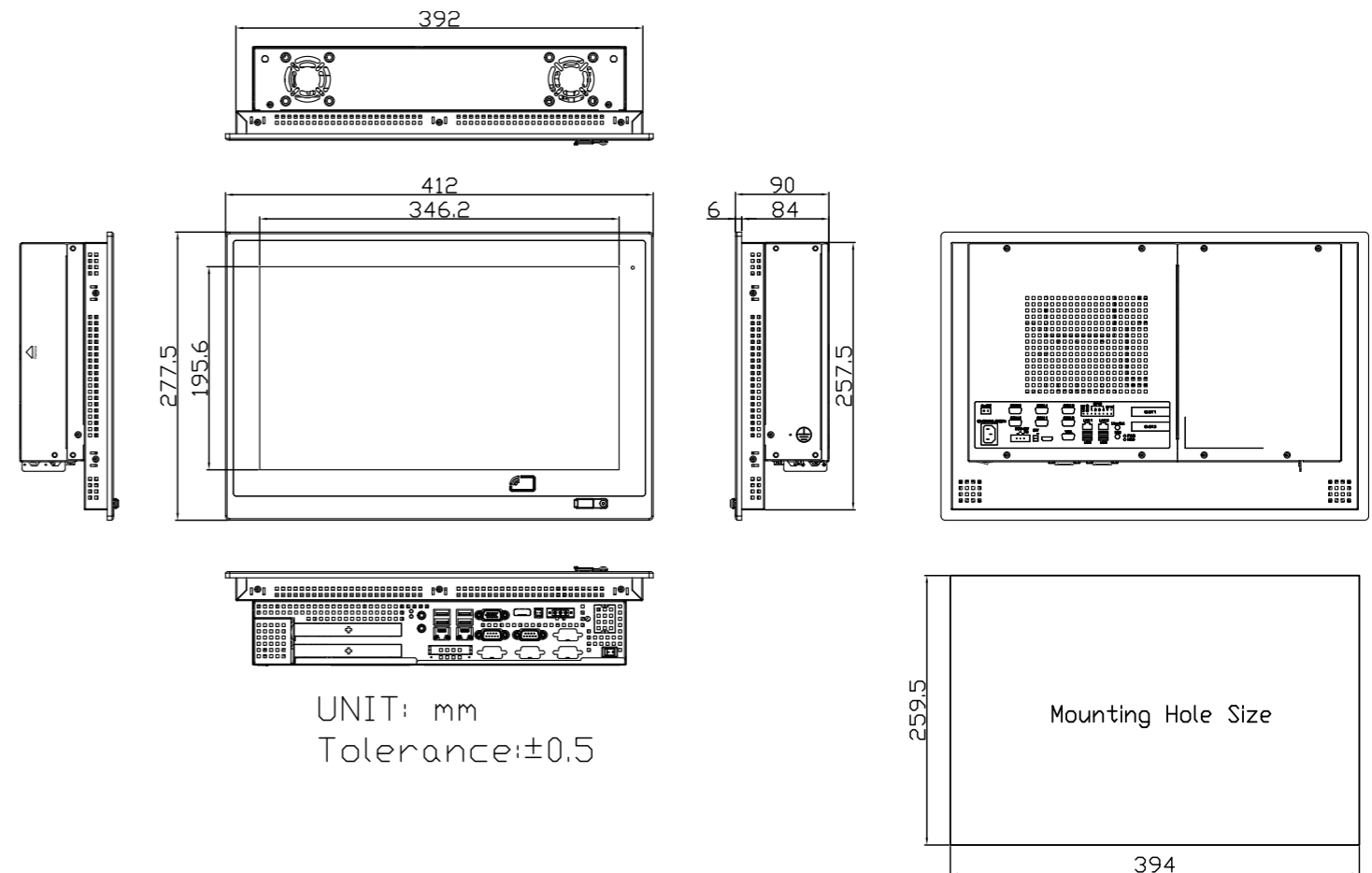
Features

- 15.6" TFT LCD Panel PC
- Intel 6th/7th Core i3/i5/i7 Socket type Processor
- Modular concept and with Fan Design
- Support PCT/RTW/AR Glass
- Front Bezel IP66
- Option 1 x USB and RFID at front bezel
- Option WiFi/BT/Speaker
- 2 x 2.5 HDD space
- Support 2 x Expansion slot
- DC 9~36V Power input, option AC power input

Specifications

System		
CPU	Intel 6th & 7th Gen Core i3/i5/i7 processor	
System Chipset	Intel H170	
Memory	2 x 260-pin SO-DIMM up to 64GB DDR4 2133 MHz SDRAM	
IO Port		
Rear side I/O port	4 x USB3.0 type A 2 x RJ45 GbE LAN 1 x DB9 RS-232/422/485 default RS-232 1 x DB9 RS-232 1 x DB9 RS-422/485 default RS-485 1 x DB15 VGA 1 x HDMI with Cover 1 x Line-out/Mic-in 1 x 2pin Terminal block for external power switch 2 x LED indication for HDD/System 1 x System LED indication at front 1 x 3pin TB Power connector 1 x Power Switch on/off	
Option I/O	1 x USB front bezel via TB-222(IP65/IP66) 1 x RFID 4 x USB 2.0 Type A via TB-546 2 x DB9 COM port 1 x 8-bit GPIO (3 in/out/VCC/GND)	
Storage Space		
HDD	2 x 2.5" SATA HDD space, support RAID 0, 1, 5 (Easily Accessible storage design)	
Expansion		
Expansion Slot	1 x Full-size Mini PCIe on board(PCle/USB/SATA,SATA by default) 1 x Half-size Mini PCIe on board (PCle/USB, PCle by default) 1 x SIM slot for option(Option wifi/BT/4G and antenna at rear side) 1 x PCIe x1 and 1xPcle x16 slot via TB-560E11E161 (default)	
Display		
	Standard	High Brightness Optional
Display Type	15.6" TFT-LCD	15.6" TFT-LCD
Max. Resolution	1366 x 768 1920 x 1080	1366 x 768
Max. Color	16.7M	16.7M
Luminance (cd/m ²)	300(typ) / 240(Min)	1000
View Angle	160(H) / 160(V)	160(H) / 160(V)
Contrast	500:1	500:1
Backlight Lifetime	50,000 hrs	50,000 hrs
Option	Auto Dimming	Auto Dimming
Touch Screen		
	Resistive Touch	PCT
Interface	USB	USB
Light Transmission(%)	Over 80%	Over 90%

Dimensions



Power	
Power Input	DC 9~36V Power input, option AC power input
Mechanical	
Construction	Aluminum front bezel (default) Stainless front bezel (option)
Mounting	Panel Mount
IP Rating	Front Panel IP66
Dimensions	412 x 277.5 x 90 mm
Net Weight	TBD
Environmental	
Operating Temperature	0~50°C
Storage Temperature	-30~70°C
Storage Humidity	10 to 95% @ 40°C, non- condensing
Certificate	CE / FCC Class A
Operating System Support	
Windows embedded 7 Windows embedded 8.1 Windows 10 IoT 2016	

