

EVS-1000 MXM1030

Intel® Xeon®/Core™ i7/i5/i3 (Kaby Lake-S/Skylake-S) GPU Computing System with Intel® C236 & NVIDIA® GeForce® GT 1030, NVIDIA® Pascal™ architecture, 1 PCI/PCIe, 2 GigE LAN, 2 Front-access SSD Tray, 3 SIM, 6 USB 3.0, 4 COM, 32 Isolated DIO, Fanless, High Performance, Independent Graphics



Features

- Fanless, -25°C to 60°C Operating Temperature
- LGA 1151 Socket supports workstation-grade 7th generation Intel® Xeon®/Core™ i7/i5/i3 Processor (Kaby Lake) with Intel® C236
- Compact NVIDIA® GeForce® GT 1030 MXM graphics engine supports NVIDIA® Pascal™ GPU architecture, up to 8K resolution
- 1 VGA, 1 DVI and 4 DisplayPort, up to 5 independent HD displays
- 3 SIM Card Socket for WiFi/3G/4G/LTE/GPRS/UMTS
- 2 Front-access 2.5" SSD Tray, 1 CFast Socket
- 1 PCI/PCIe, 3 Mini PCIe, Optional SUMIT A, B
- 32 Isolated DIO, 6 USB 3.0, 4 COM RS-232/422/485
- 10V to 36V DC-in, 80V Surge Protection
- Configurable Ignition Power Control



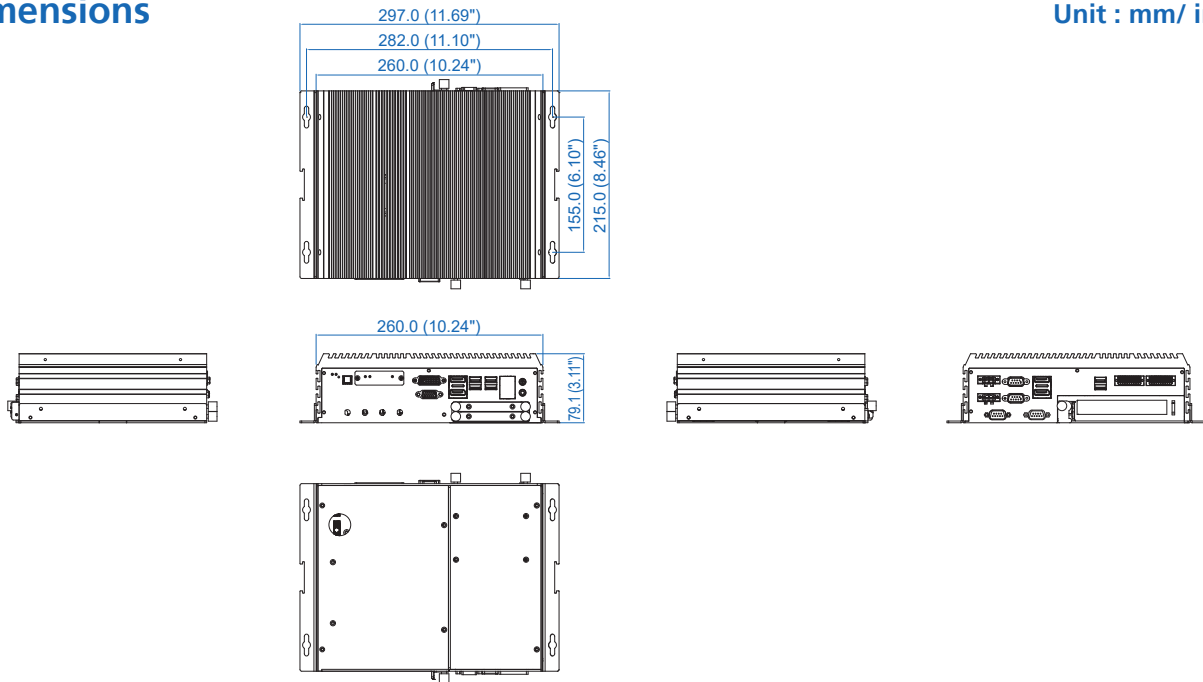
Specifications

System	
Processor	Quad Core Intel® Xeon®/Core™ i7/i5/i3 Processor (Kaby Lake-S/Skylake-S)
Chipset	Intel® C236
BIOS	AMI
SIO	IT8786E
Memory	2 DDR4 2133MHz SO-DIMM, up to 32GB (ECC/Non-ECC)
I/O Interface	
Serial	4 COM RS-232/422/485 (ESD 8KV)
USB	<ul style="list-style-type: none"> ▪ 6 USB 3.0 (External) ▪ 1 USB 2.0 (Internal)
Isolated DIO	32 Isolated DIO : 16 DI, 16 DO
LED	Power, HDD
SIM Card	3 External SIM Card Socket
Expansion	
Mini PCIe	3 Mini PCIe Socket for PCIe/USB/External SIM Card/mSATA
PCI/PCIe	EVS-1010 : 1 PCIe x4 Slot EVS-1001 : 1 PCI Slot
SUMIT A, B	2 SUMIT Slot (Optional)
Graphics	
Graphics Processor	<ul style="list-style-type: none"> ▪ Intel® HD Graphics 630/530 ▪ NVIDIA® GeForce® GT 1030
Interface	6 Display Interfaces : <ul style="list-style-type: none"> ▪ 1 VGA : Up to 1920 x 1200 @ 60Hz ▪ 1 DVI : Up to 1920 x 1200 @ 60Hz ▪ 2 DisplayPort : Up to 4096 x 2304 @ 60Hz ▪ 2 DisplayPort : Up to 7680 x 3840 @ 60Hz
Storage	
SATA	2 SATA III (6Gbps) support S/W RAID 0, 1
mSATA	3 SATA III (Mini PCIe Type, 6Gbps)
Storage Device	<ul style="list-style-type: none"> ▪ 1 CFast Socket, Push-in/Push-out Ejector ▪ 2 Front-access 2.5" SSD/HDD Tray
Audio	
Audio Codec	Realtek ALC892, 5.1 Channel HD Audio
Audio Interface	1 Mic-in, 1 Line-out
Ethernet	
LAN 1	Intel® I219LM GigE LAN supports iAMT 11.0
LAN 2	Intel® I210 GigE LAN

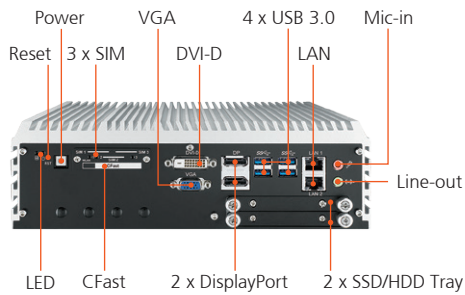
Power	
Power Input	10V to 36V, DC-in
Power Interface	3-pin Terminal Block : V+, V-, Frame Ground
Ignition Control	16 Mode (Internal)
Remote Switch	3-pin Terminal Block : On, Off, IGN
Surge Protection	Up to 80V/1ms Transient Power
Others	
TPM	Optional Infineon SLB9665 supports TPM 2.0, LPC Interface
Watchdog Timer	Reset : 1 to 255 sec./min. per step
Smart Management	Wake on LAN, PXE supported
HW Monitor	Monitoring temperature, voltages. Auto throttling control when CPU overheats.
Software Support	
OS	Windows 10, Windows 8.1, Windows 7, Linux
Mechanical	
Dimensions (W x L x H)	260mm x 215mm x 79mm (10.2" x 8.5" x 3.1")
Weight	4.2 kg (9.26 lb)
Mounting	<ul style="list-style-type: none"> ▪ Wallmount by mounting bracket ▪ DIN Rail Mount
Environment	
Operating Temperature	-25°C to 60°C (-13°F to 140°F)
Storage Temperature	-40°C to 85°C (-40°F to 185°F)
Humidity	5% to 95% Humidity, non-condensing
Relative Humidity	95% @ 60°C
Shock	<ul style="list-style-type: none"> ▪ IEC 60068-2-27 ▪ SSD : 50G @ wallmount, Half-sine, 11ms
Vibration	<ul style="list-style-type: none"> ▪ IEC 60068-2-64 ▪ SSD : 5Grms, 5Hz to 500Hz, 3 Axis
EMC	CE, FCC, EN50155, EN50121-3-2

Dimensions

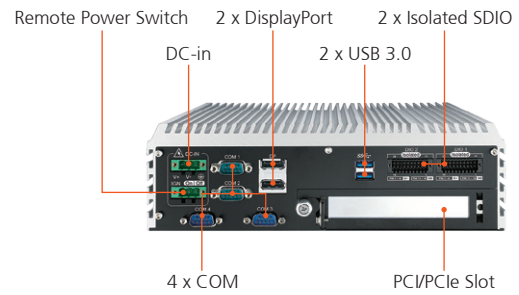
Unit : mm/ inch



Front I/O



Rear I/O



Order Information

EVS-1010-MXM1030	EVS-1000, NVIDIA® GeForce® GT 1030, 2 GigE LAN, 1 PCIe x4, 6 USB 3.0, 4 COM, 3 SIM, 32 Isolated DIO
EVS-1001-MXM1030	EVS-1000, NVIDIA® GeForce® GT 1030, 2 GigE LAN, 1 PCI, 6 USB 3.0, 4 COM, 3 SIM, 32 Isolated DIO

Accessories

DDR4 16G	Certified DDR4 16GB 2133MHz RAM
DDR4 8G	Certified DDR4 8GB 2133MHz RAM
DDR4 4G	Certified DDR4 4GB 2133MHz RAM
PWA-160W-WT	160W, 24V, 85VAC to 264VAC Power Adapter with 3-pin Terminal Block, Wide Temperature -30°C to +70°C
PWA-280W-WT	280W, 24V, 85VAC to 264VAC Power Adapter with 3-pin Terminal Block, Wide Temperature -30°C to +70°C
PWS-480W-WT	480W, 24V, 90V AC to 305V AC Power Supply, Wide-Temp, IP65
PWS-600W	600W, 24V, 90V AC to 305V AC Power Supply
VESA Mount	VESA Mounting Kit
DIN-RAIL	DIN Rail Kit
Rack Mount	2U Rackmount Kit
TMK2-20P-100	Terminal Block 20-pin to Terminal Block 20-pin Cable, 100cm
TMK2-20P-500	Terminal Block 20-pin to Terminal Block 20-pin Cable, 500cm
TMB-TMBK-20P	Terminal Board with One 20-pin Terminal Block Connector and DIN-Rail Mounting
4G Module	Mini PCIe 4G/GPS Module with Antenna
WiFi & Bluetooth Module	Mini PCIe WiFi & Bluetooth Module with Antenna

CPU List

Series	CPU	Cache (MB)	Turbo Freq. (GHz)	TDP (W)	ECC Memory
Intel® Xeon®	E3-1268L v5	8	3.4	35	Y
	i7-7700T	8	3.8	35	NA
i7-6700TE	3.4		35		
Intel® Core™	i5-7500T	6	3.3	35	NA
	i5-6500TE		3.3	35	
	i3-7101TE	3	3.4	35	Y
	i3-6100TE	4	2.7	35	