

# VOLKTEK

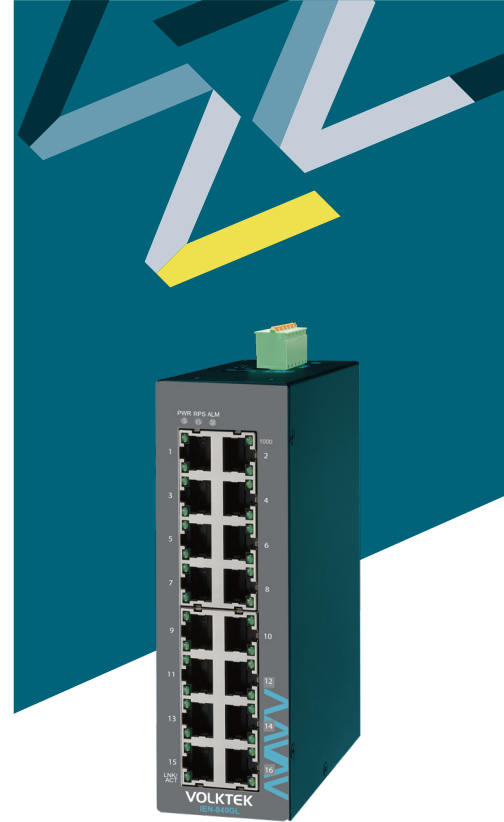
## IEN-840GL

### Lite Managed 16 x 10/100/1000 RJ45 Industrial Switch

#### Description

The IEN-840GL is a Lite Managed Industrial Switch specifically designed to suit your heavy industrial environments and contains all necessary standard features to deploy in automation systems. Engineered with hardened components and enclosed in a rugged IP30 case, the IEN-840GL can operate in wide temperatures from -10°C to 60°C and has excellent tolerance capability to high vibration and shock.

Despite the fact that the IEN-840GL is perfectly designed to operate in extreme industrial conditions; the switch is equipped with a variety of management functions that let you configure communication parameters as you desire and monitor the network behavior in number of different simple ways. In addition, the switch is built with dual redundant power inputs to ensure reliability and maximize network up time. Other integrated features of the switch such as Auto-negotiation, Rate limitation and QoS optimizes your network performance and provide a secure network, offering a cost-effective solution in a small but powerful package.



RoHS CE FC



#### Features Highlight

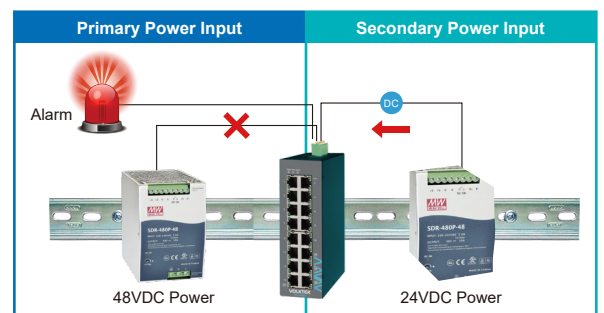
##### Robust Performance and Protection

Well-protected in an IP30 casing, the switch provides high level of immunity against EMI and EMS found in industrial environments. Along with those, the IEN-840GL is built with various protection features such as ESD Protection, Surge Protection, Over Current Protection, Reverse Polarity Protection and Short Circuit Protection to ensure continuous operation of mission-critical applications even in unstable power conditions.



##### Redundant Power Input

When taking the failure impact of mission-critical applications into consideration, the IEN-840GL development uses a standard of industrial terminal block along with wide-range redundant power inputs extending from 12 up to 60VDC. The redundant power provides continuous service even if the primary power fails, which results in a reliable and consistent network. In addition to this, the switch is also equipped with an alarm feature to notify the occurrence of power failure. This solution provides you with a quicker respond time and faster troubleshooting.



##### Eco-friendly Green Ethernet Design

To address the concerns of increasing power consumption, IEN-840GL implements IEEE 802.3az Energy Efficient Ethernet (EEE) compliant Green Ethernet technology. This eco-friendly design allows the switch to automatically adjust power consumption and conserve energy during the periods of low data activity. This helps you to lower the energy usage significantly and help you save operational costs.



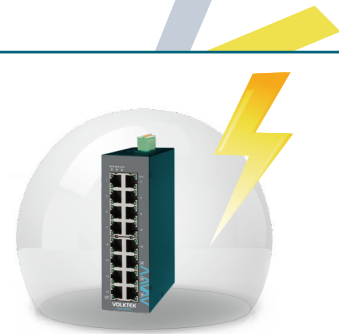
##### Auto Negotiable Link Speed Control

To establish a fair and efficient communication among the devices which is having different link speeds, IEN-840GL provides an auto negotiation feature which balances the data transmission speed between the switch and the connected PLCs.

## Features Highlight

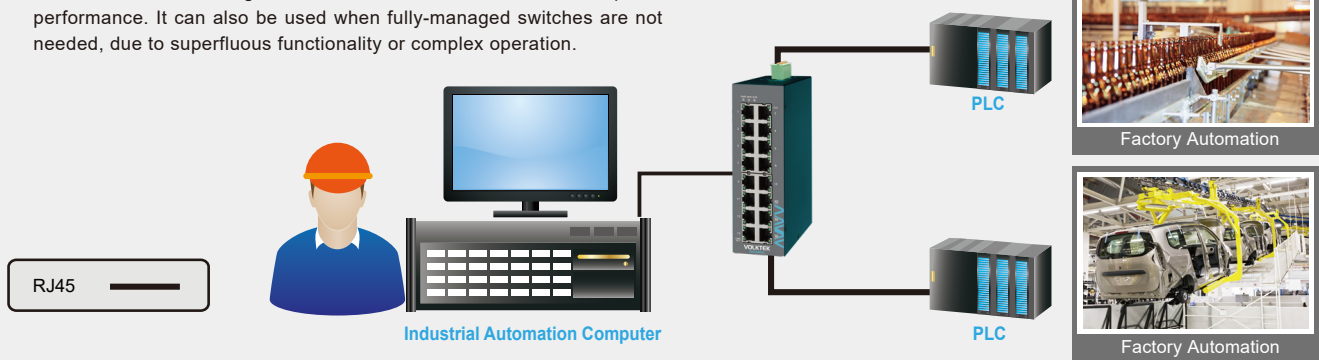
### Strong Protection Against Electrical Threats

IEN-840GL is incorporated with enhanced Reverse Polarity Protection function to provide safety against wrong combinations of positive and negative poles, which prevents huge internal circuitry damage. The Over Current Protection is designed with a secured fuse component to safeguard the device during sudden increase of current flow. In addition, a Power Isolation concept is used to separate the transmitted data from grounded noise enabling steady and noise free transmission.

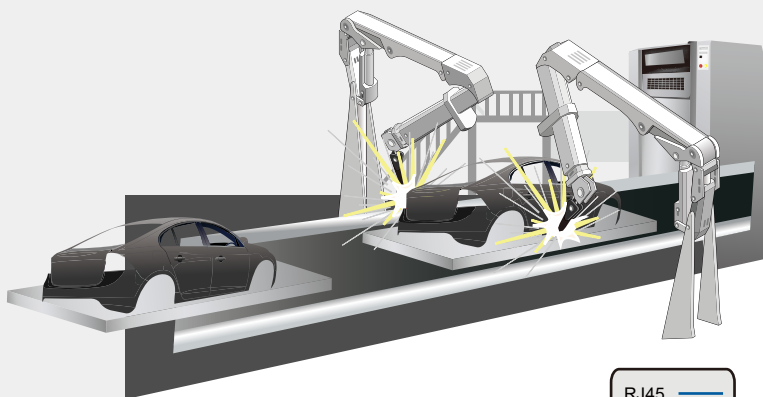


## Applications

In designing the IEN-840GL, the absolute necessary management functions were integrated to enable the configuration and monitoring of the switches. This allows the IEN-840GL switches to bring added value to areas where unmanaged switches cannot deliver the required performance. It can also be used when fully-managed switches are not needed, due to superfluous functionality or complex operation.



## Factory Automation

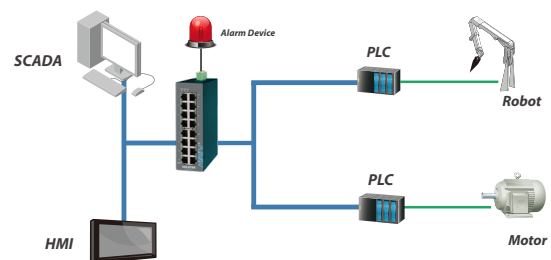


### ► Redundant Power input

The IEN-840GL has dual power inputs to provide a redundant system against power supply disruptions. In case of one power source failure, the other acts as a backup to remain continuous network power for critical industrial applications.

### ► Relay Output Alarm for Power Failure

The IEN-840GL is built with relay contact outputs that trigger alarms to notify network engineers in the event of power failure, and enables them to quickly respond and resolve high priority issues.



## Specifications

Standards	
IEEE 802.3	10Base-T
IEEE 802.3u	100Base-TX
IEEE 802.3ab	1000Base-T
IEEE 802.3	Nway Auto-negotiation
IEEE 802.3x	Flow Control
IEEE 802.3az	Energy Efficient Ethernet (EEE)
IEEE 802.1p	Quality of Service(QoS)
Interface	
Ports	16 x 10/100/1000Base-T (RJ-45)
Connectors	One removable 6-pin terminal block
Features	
Performance	Jumbo frame Size: 10KBytes
	MAC Table Entries: 8K
	Switch Fabric: 32Gbps
	L2 Forwarding Rate: 23.8Mpps
Management	Web GUI, SNMP v1/v2c, Firmware Upgradable, Configuration Backup/Restore, STNP, LLDP, DHCP Client, Mirroring, ONVIF Discovery
Traffic Control	Port Priority, Flow Control, Storm Control, Loop Detection
Alarm Relay	One relay output, 1 A @ 24V DC
Power	
Primary/Redundant inputs	12~60VDC
Power Consumption	12W (12V/1A)
Reverse Polarity	Present
Overload current	Present
Mechanical and Environment	
Housing	Aluminum (IP30 protection)
Mounting	DIN-Rail, Wall Mount (Optional)
Operating Temperature	-40°C~75°C
Operating Humidity	5 to 95% RH (non-condensing)
Storage Humidity	5 to 95% RH (non-condensing)
Weight	550g
Dimension (WxHxD)	50x160x120mm (1.97x6.36x4.72inch)
Certifications	
EMI	FCC Part 15 Subpart B Class A
	EN 55011 class A
	EN 55032 class A
	EN 61000-6-4
EMS	EN 61000-6-2
	EN 55024
	EN 61000-4-2 ( ESD )
	EN 61000-4-3 ( RS )
	EN 61000-4-4 ( Burst )
	EN 61000-4-5 ( Surge )
	EN 61000-4-6 ( CS )
	EN 61000-4-8 (PFMF )
EN 61000-4-11 (Dip)	
Shock Test	IEC 60068-2-27
Freefall Test	IEC 60068-2-32
Vibration	IEC 60068-2-6
Ordering Information	
INS-840G	Unmanaged 16 x 10/100/1000 RJ45 Industrial Switch, Aluminum
Optional Accessories	
Power Supply	SDR-480P-48: 480W DIN-Rail 48V DC Industrial Power Supply, -25°C~70°C

\*Specifications subject to change without notice.

## Dimension

