

Features



- 18.5" Industrial Compact Size Panel PC
- Flat front panel touch screen
- Fanless design
- Intel Celeron N2930(1.83GHz) CPU built-in
- Onboard 4GB DDR3L 1600 MHz/8GB(option)
- Wide range DC 9~36V power input
- IP65 compliant front panel
- Optional projected capacitive touch screen support 7H anti-scratch surface
- High brightness 1,000nits LCD for ARCHMI-818(P)H
- Optical bonding for option
- Auto dimming for option for ARCHMI-818(P)H



Specifications

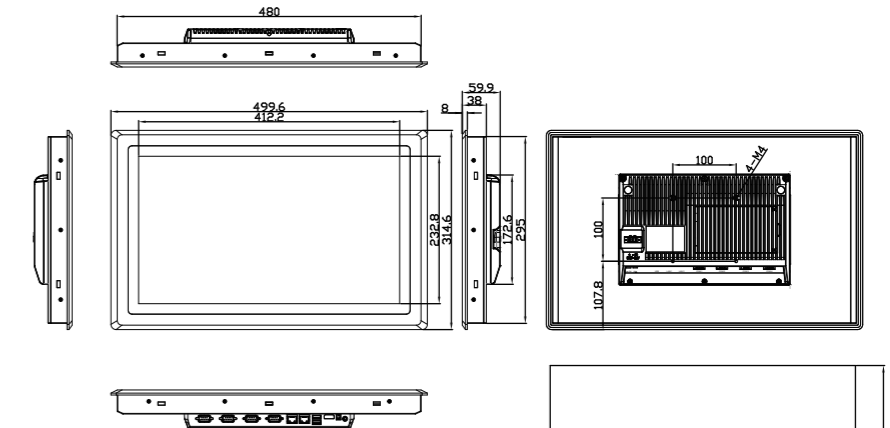


System		
CPU	Onboard Intel Celeron N2930(1.83GHz) Processor	
System Chipset	SoC	
Memory	Onboard 4GB DDR 3L 1600 MHz/8GB(option)	
IO Port		
USB	2 x USB 3.0 type A	
Serial/Parallel	1 x RS-232 DB-9, COM2 1 x RS-232/422/485 DB-9, COM1, default RS-232	
Audio	1 x Audio Line Out	
LAN	2 x GbE LAN RJ-45 with Intel 82574L controller	
Power	1 x 3-pin DC power input terminal 1 x 2-pin connector for power on/off button	
Option	2 x RS-232 DB-9 + 1 x Mini-PCIe slot via TB-528C2ME1 2 x CAN bus via TB-528CAN2 2 x USB 2.0 type A Via TB-528U2 2 x USB 2.0 type A + 1 x RS-232 DB-9 + 1 x Power button via TB-528C1U2P1 UPS Battery 21W/10.8V/1.95Ah(3S1P) UPS battery and TB-528 expansion board can't be used in the same time	
Storage Space		
HDD	1 x SATA 2.5" HDD bay for SATA HDD (easy accessible)	
movable device	1 x SD card slot, up to 32GB	
Expansion		
Expansion Slot	1 x Internal Mini-PCIe slot full size	
Display		
	ARCHMI-818(P)	ARCHMI-818(P)H
Display Type	18.5" TFT-LCD	18.5" TFT-LCD
Max. Resolution	1366 x 768	1366 x 768
Max. Color	16.7M	16.7M
Luminance (cd/m ²)	300	1000
Viewing Angle	170(H) / 160(V)	170(H) / 160(V)
Contrast Ratio	1000 : 1	1000 : 1
Backlight Lifetime	50,000 Hrs	50,000 Hrs
Touch Screen		
Type	Resistive Touch Window Projected Capacitive Touch (For P Model)	
Interface	USB	
Light Transmission(%)	Resistive Touch Window: over 80% Projected Capacitive Touch: over 90%	
Power		
Power Input	DC 9~36V	
Power Consumption	ARCHMI-818: MAX: 29.8W / ARCHMI-818P: MAX: 28.9W ARCHMI-818H: MAX: 34.4W / ARCHMI-818PH: MAX: TBD	

Dimensions

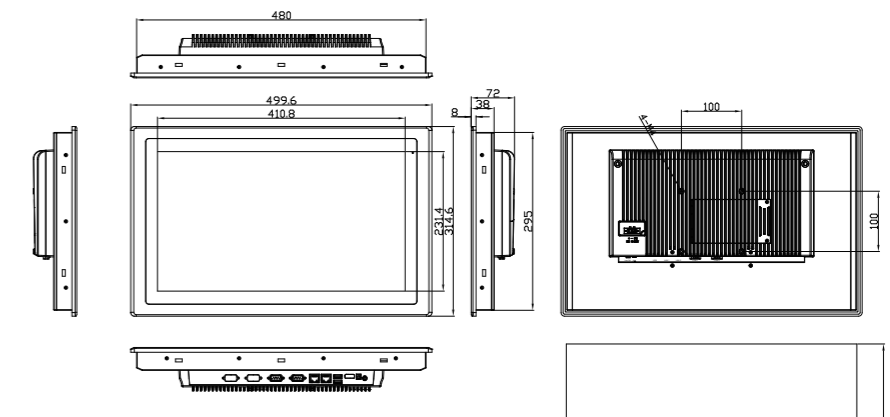


► ARCHMI-818(P)



UNIT: mm
Tolerance: ±0.5

► ARCHMI-818(P)H



UNIT: mm
Tolerance: ±0.5

Mechanical	
Color	RAL 9007
Construction	Aluminum Die-casting Front Bezel and Chassis
Mounting	Panel Mounting, VESA 100 x 100
IP Rating	IP65 compliant front bezel
Dimensions	499.6 x 314.6 x 59.9 mm (ARCHMI-818(P)) 499.6 x 314.6 x 72 mm (ARCHMI-818(P)H)
Net Weight	ARCHMI-818(P): 5.9 Kg ARCHMI-818(P)H: 6.6 Kg

Environmental	
Operating Temperature	0~50°C
Storage Temperature	-20~60°C
Storage Humidity	10 to 90% @ 40°C, non-condensing
Certificate	CE / FCC CLASS A / UL

Operating System Support
Windows Embedded Compact 7, Windows Embedded Standard 7, Windows 7 Pro(FES), Windows 7 Ultimate(FES), Windows Embedded 8 Standard, Windows Embedded 8.1 Industry Pro, Windows 10 IoT Enterprise 2015LTSP

Ordering Information	
ARCHMI-818-01	18.5" WXGA Fanless HMI barebone with Intel Celeron N2930 1.83GHz CPU, 2GB DDR3L RAM, Resistive touch screen, DC 9~36V input with adapter, Aluminum chassis
ARCHMI-818P-01	18.5" WXGA Fanless HMI barebone with Intel Celeron N2930 1.83GHz CPU, 2GB DDR3L RAM, Projected capacitive touch screen, DC 9~36V input with adapter, Aluminum chassis
ARCHMI-818H-01	18.5" WXGA Fanless HMI barebone with Intel Celeron N2930 1.83GHz CPU, 4GB DDR3L RAM, Resistive touch screen, DC 9~36V input with adapter, Aluminum chassis, High brightness 1,000nits LCD
ARCHMI-818PH-01	18.5" WXGA Fanless HMI barebone with Intel Celeron N2930 1.83GHz CPU, 4GB DDR3L RAM, Projected capacitive touch screen, DC 9~36V input with adapter, Aluminum chassis, High brightness 1,000nits LCD