

## Features

- 8" Industrial Compact Size Panel PC
- Flat front panel touch screen
- Fanless design
- Intel Celeron N2930(1.83GHz) CPU built-in
- Onboard 4GB DDR3L 1600 MHz/8GB(option)
- Wide range DC 9~36V power input
- IP65 compliant front panel
- Optional projected capacitive touch screen support 7H anti-scratch surface
- High brightness 1,000nits LCD for ARCHMI-808(P)H
- Optical bonding for option

## Specifications

### System

CPU	Onboard Intel Celeron N2930(1.83GHz) Processor
System Chipset	SoC
Memory	Onboard 4GB DDR 3L 1600 MHz/8GB(option)

### IO Port

USB	2 x USB 3.0 type A
Serial/Parallel	1 x RS-232 DB-9, COM2 1 x RS-232/422/485 DB-9, COM1, default RS-232
Audio	1 x Audio Line Out
LAN	2 x GbE LAN RJ-45 with Intel 82574L controller
Power	1 x 3-pin DC power input terminal 1 x 2-pin connector for power on/off button

### Storage Space

HDD	1 x SATA MO-297 SSD bay (Easy Accessible)
movable device	1 x SD card slot, up to 32GB

### Expansion

Expansion Slot	1 x Internal Mini-PCIe slot full size
----------------	---------------------------------------

Display	ARCHMI-808(P)	ARCHMI-808(P)H
Display Type	8" TFT-LCD	8" TFT-LCD
Max. Resolution	800 x 600	800 x 600
Max. Color	16.2M	16.2M
Luminance (cd/m <sup>2</sup> )	350	1000
Viewing Angle	140(H) / 125(V)	140(H) / 125(V)
Contrast Ratio	500 : 1	500:1
Backlight Lifetime	40,000 Hrs	40,000 Hrs

### Touch Screen

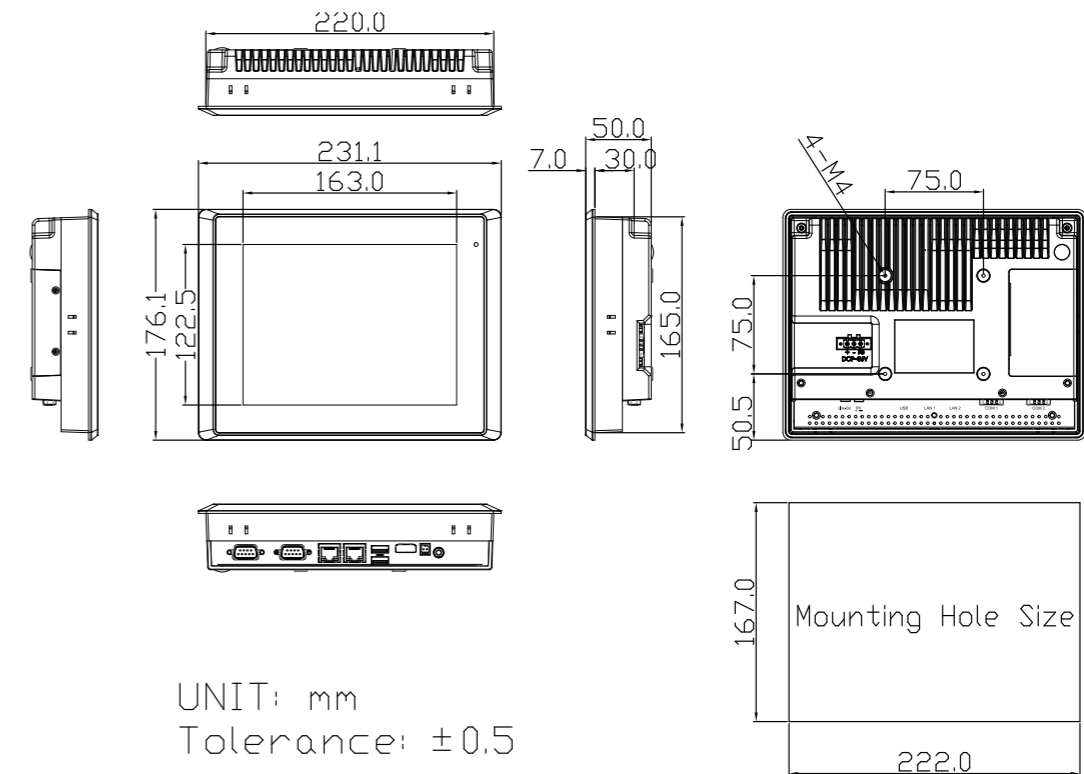
Type	Resistive Touch Window Projected Capacitive Touch (For P Model)
Interface	USB
Light Transmission(%)	Resistive Touch Window: over 80% Projected Capacitive Touch: over 90%

### Power

Power Input	DC 9~36V
Power Consumption	ARCHMI-808: MAX:10.8W ARCHMI-808P: MAX: 13.4W ARCHMI-808H: MAX:14.2W ARCHMI-808PH: MAX: 16.1W



## Dimensions



### Mechanical

Color	RAL 9007
Construction	Aluminum Die-casting Front Bezel and Chassis
Mounting	Panel Mounting, VESA 75 x 75
IP Rating	IP65 compliant front bezel
Dimensions	231.1 x 176.1 x 50 mm
Net Weight	ARCHMI-808(P): 1.9 Kg ARCHMI-808(P)H: 1.9 Kg

### Environmental

Operating Temperature	ARCHMI-808(P): 0~50°C, -20~60°C (option) ARCHMI-808(P)H: 0~50°C
Storage Temperature	-20~60°C
Storage Humidity	10 to 90%@ 40°C, non-condensing
Certificate	CE / FCC CLASS A/ UL

### Operating System Support

Windows Embedded Compact 7, Windows Embedded Standard 7, Windows 7 Pro(FES), Windows 7 Ultimate(FES), Windows Embedded 8 Standard, Windows Embedded 8.1 Industry Pro, Windows 10 IoT Enterprise 2015LTSP

### Ordering Information

ARCHMI-808-01	8" SVGA Fanless HMI barebone with Intel Celeron N2930 1.83GHz CPU, 2GB DDR3L RAM, Resistive touch screen, DC 9~36V input with adapter, Aluminum chassis
ARCHMI-808P-01	8" SVGA Fanless HMI barebone with Intel Celeron N2930 1.83GHz CPU, 2GB DDR3L RAM, Projected capacitive touch screen, DC 9~36V input with adapter, Aluminum chassis
ARCHMI-808H-01	8" SVGA Fanless HMI barebone with Intel Celeron N2930 1.83GHz CPU, 4GB DDR3L RAM, Resistive touch screen, DC 9~36V input with adapter, Aluminum chassis, High brightness 1,000nits LCD
ARCHMI-808PH-01	8" SVGA Fanless HMI barebone with Intel Celeron N2930 1.83GHz CPU, 4GB DDR3L RAM, Projected capacitive touch screen, DC 9~36V input with adapter, Aluminum chassis, High brightness 1,000nits LCD