

Features

- Industrial Display
- Flat front panel touch screen
- Fanless design
- Wide range DC 9~36V power input
- IP65 compliant front panel
- VGA/DVI/HDMI/DP input
- System power LED light
- High Brightness LCD and Auto Dimming for option

Specifications

I/O Port	
VGA	1
DVI	1
DP	1
HDMI	1
Audio	1 x Audio line-in phone jack
OSD Control Membrane	OSD on rear side On board controller, extendable key pad from connector
Power	1 x 3 pins terminal block for DC power input
Others	1 x USB type A for touch control Optional I/O: 1 x Speaker 1 x RS-232 DB-9 for touch control

Standard LCD	
Display Type	18.5" TFT-LCD
Max. Resolution	1366 x 768
Max. Color	16.7M
Luminance (cd/m ²)	300
View Angle	170(H) / 160(V)
Contrast Ratio	1000:1
Backlight Lifetime	50,000 hrs

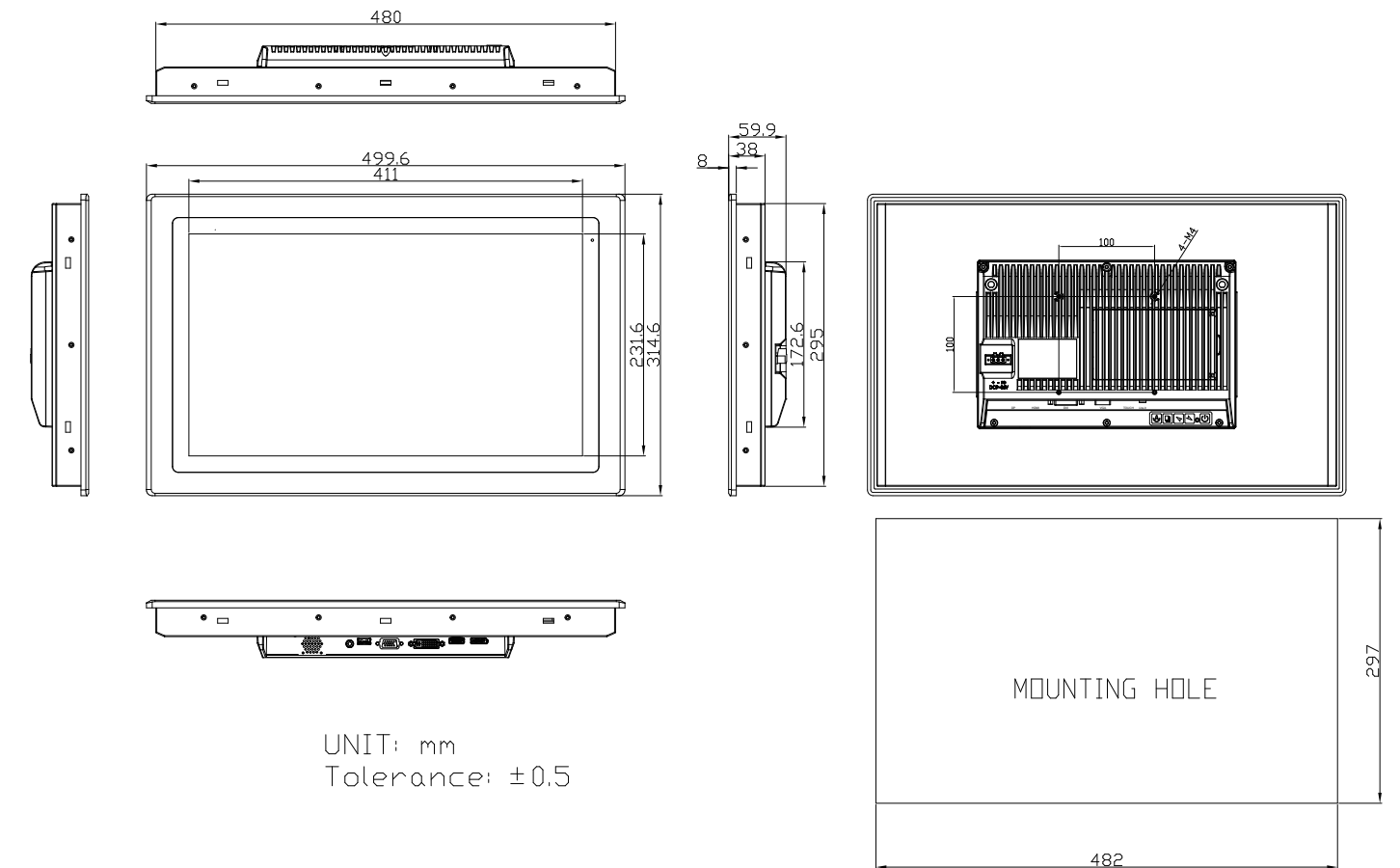
High Brightness LCD (option)	
Display Type	18.5" TFT-LCD
Max. Resolution	1366 x 768
Max. Color	16.7M
Luminance (cd/m ²)	1000
View Angle	170(H) / 160(V)
Contrast Ratio	1000:1
Backlight Lifetime	50,000 hrs

Power	
Power Input	DC 9~36V
Power Consumption	MAX: 19.7W (118AR) MAX: 30.2W (118AP)

Touch Screen – Resistive Touch Window Type (Default)	
Interface	USB default RS-232 for option
Light Transmission	Over 80%

Touch Screen – Projected Capacitive Type (Option)	
Interface	USB
Light Transmission	Over 90%

Dimension



Mechanical	
Construction	Aluminum chassis
Chassis Color	RAL 9007
Mounting	Panel Mount / VESA Mount 100 x 100
IP Rating	IP65 compliant front panel
Dimension	499.6 x 314.6 x 59.9 mm
Net Weight	6.4 Kg

Environmental	
Operating Temperature	0~50 °C
Storage Temperature	-30~70 °C
Storage Humidity	10 to 90% @ 40°C, non-condensing
Certificate	CE/FCC Class A

Ordering Information	
ARCDIS-118AR-01	18.5" WXGA FPD Industrial display, Resistive touch window, VGA, DVI, HDMI, and DP input, 5 keys Rear OSD, DC 9~36V power input with adapter, Aluminum Chassis
ARCDIS-118AP-01	18.5" WXGA FPD Industrial display, Projected Capacitive touch screen, VGA, DVI, HDMI, and DP input, 5 keys Rear OSD, DC 9~36V power input with adapter, Aluminum Chassis