



Features

- Solid Aluminum die-casting chassis
- IP65 compliant front panel
- VGA and DVI input, RCA is for option
- System power LED light
- Wide range DC 9~36V power input
- High Brightness LCD and Auto Dimming for option

Specifications

| I/O Port | |
|----------------------|---|
| VGA | 1 x VGA |
| DVI | 1 x DVI |
| RCA | 1 x RCA for option |
| OSD Control Membrane | OSD on rear side On board controller, extendable key pad from connector |
| Power | 1 x 3-pin terminal block for DC 9~36V power input |
| Speaker | 1 x 3W AMP internal pin header for option |
| Others | 1 x USB type A for touch control Optional I/O: 1 x Line in by phone jack 1 x RS-232 DB-9 for touch control |

| Standard LCD | |
|--------------------------------|-----------------|
| Display Type | 10.1" TFT-LCD |
| Max. Resolution | 1280 x 800 |
| Max. Color | 16.7M |
| Luminance (cd/m ²) | 350 |
| View Angle | 170(H) / 170(V) |
| Backlight Lifetime | 40,000 hrs |
| Contrast Ratio | 500:1 |

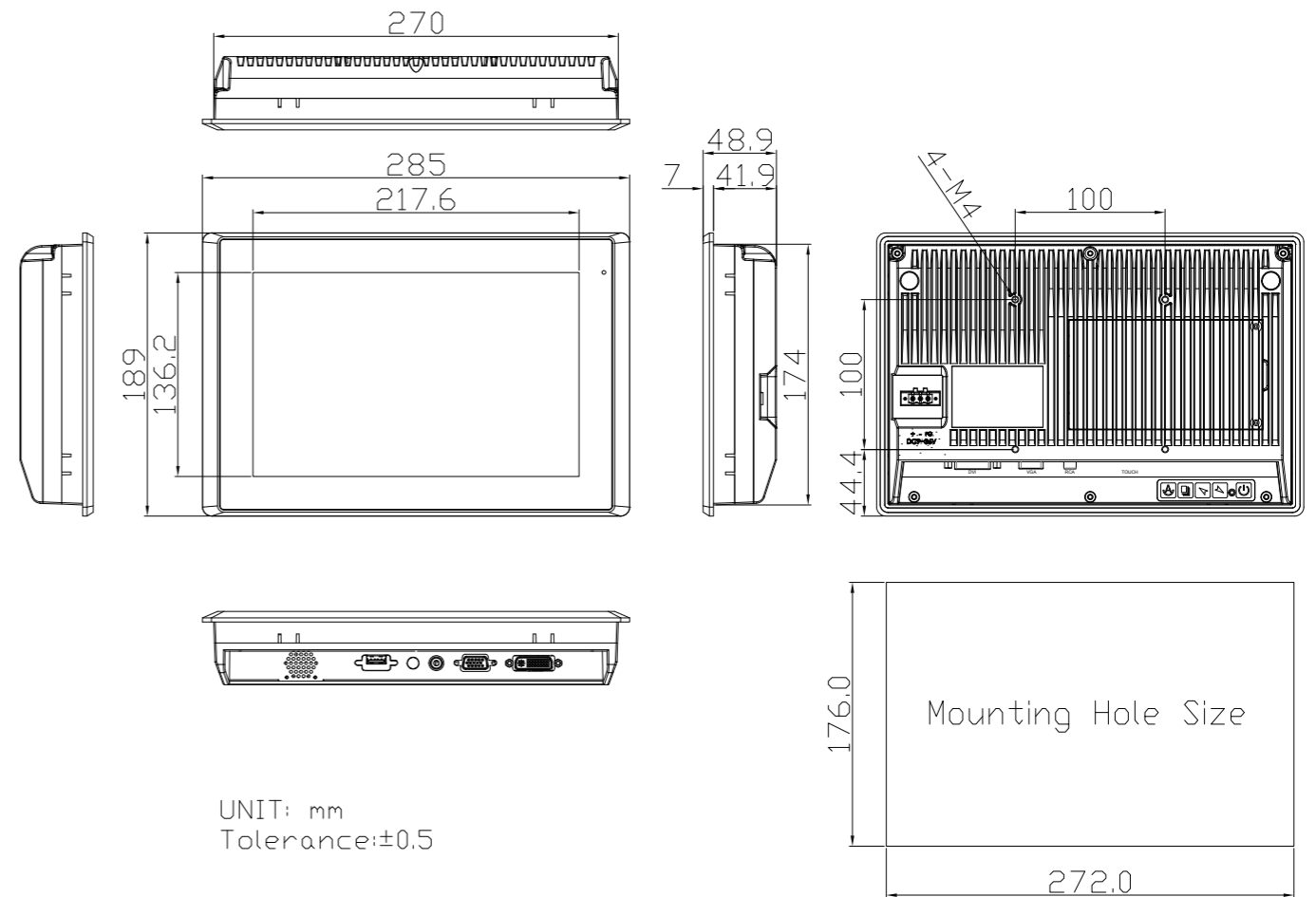
| High Brightness LCD (option) | |
|--------------------------------|-----------------|
| Display Type | 10.1" TFT-LCD |
| Max. Resolution | 1280 x 800 |
| Max. Color | 16.7M |
| Luminance (cd/m ²) | 1000 |
| View Angle | 170(H) / 170(V) |
| Backlight Lifetime | 50,000 hrs |
| Contrast Ratio | 1000:1 |

| Power | |
|-------------------|----------|
| Power Input | DC 9~36V |
| Power Consumption | TBD |

| Touch Screen – Resistive Touch Window Type (Default) | |
|--|----------------------------------|
| Interface | USB default RS-232 for option |
| Light Transmission | Over 80% |

| Touch Screen – Projected Capacitive Type (Option) | |
|---|----------|
| Interface | USB |
| Light Transmission | Over 90% |

Dimension



| Mechanical | |
|--------------|------------------------------------|
| Construction | Aluminum die-casting chassis |
| Mounting | Panel mount / VESA mount 100 x 100 |
| IP Rating | IP65 compliant front panel |
| Dimension | 285 x 189 x 48.9 mm |
| Net Weight | 2.1 Kg |

| Environmental | |
|-----------------------|---|
| Operating Temperature | 0~50 °C |
| Storage Temperature | -30~70 °C |
| Storage Humidity | 10 to 90% @ 40°C, Non- condensing, without touch screen |
| Certificate | CE/FCC Class A |

| Ordering Information | |
|----------------------|---|
| ARCDIS-110-05 | 10.1" WXGA FPD Industrial Display, Resistive Touch Window, VGA, DVI, RCA input, 5 keys Rear OSD, DC 9~36V power input with adapter, Aluminum Die-casting Chassis |
| ARCDIS-110P-03 | 10.1" WXGA FPD Industrial Display, Projected Capacitive touch screen, VGA, DVI, RCA input, 5 keys Rear OSD, DC 9~36V power input with adapter, Aluminum Die-casting Chassis |