

### Features

- Solid Aluminum die-casting chassis
- IP65 compliant front panel
- VGA and DVI input, RCA is for option
- System power LED light
- Wide range DC 9~36V power input
- High Brightness LCD and Auto Dimming for option

### Specifications

I/O Port	
VGA	1 x VGA
DVI	1 x DVI
RCA	1 x RCA for option
OSD Control Membrane	OSD on rear side On board controller, extendable key pad from connector
Power	1 x 3-pin terminal block for DC 9~36V power input
Speaker	1 x 3W AMP internal pin header for option
Others	1 x USB type A for touch control Optional I/O: 1 x Line in by phone jack 1 x RS-232 DB-9 for touch control

Standard LCD	
Display Type	8" TFT-LCD
Max. Resolution	800 x 600
Max. Color	16.2M
Luminance (cd/m <sup>2</sup> )	350
View Angle	140(H) / 125(V)
Backlight Lifetime	40,000 hrs
Contrast Ratio	500:1

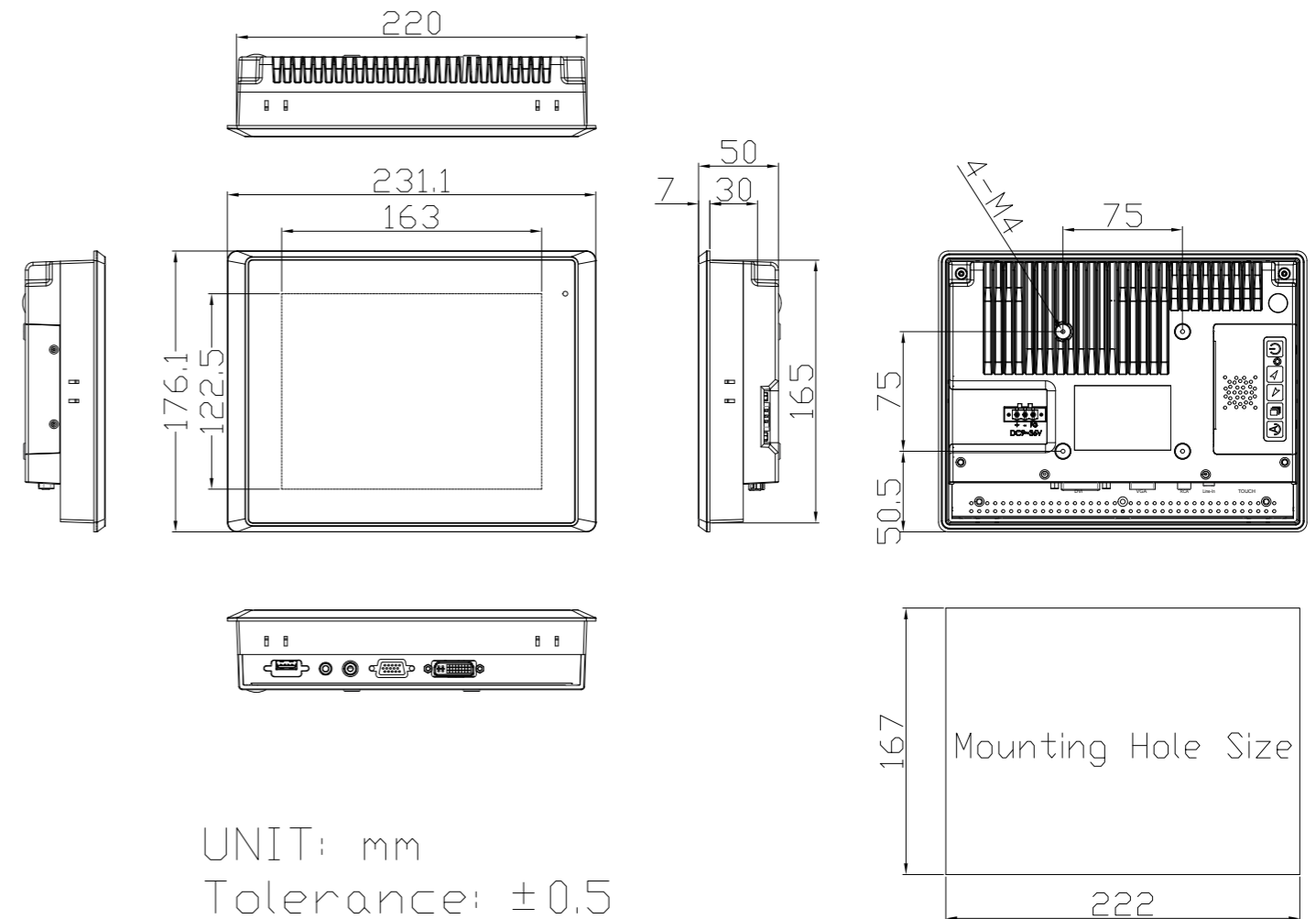
High Brightness LCD (option)	
Display Type	8" TFT-LCD
Max. Resolution	800 x 600
Max. Color	16.2M
Luminance (cd/m <sup>2</sup> )	1000
View Angle	140(H) / 125(V)
Backlight Lifetime	30,000 hrs
Contrast Ratio	500:1

Power	
Power Input	DC 9~36V
Power Consumption	MAX: 4.7W (108) MAX: 3.6W (108P)

Touch Screen – Resistive Touch Window Type (Default)	
Interface	USB default RS-232 for option
Light Transmission	Over 80%

Touch Screen – Projected Capacitive Type (Option)	
Interface	USB
Light Transmission	Over 90%

### Dimension



Mechanical	
Construction	Aluminum die-casting chassis
Mounting	Panel mount / VESA mount 75 x 75
IP Rating	IP65 compliant front panel
Dimension	231.1 x 176.1 x 50 mm
Net Weight	1.8 Kg

Environmental	
Operating Temperature	0~50 °C
Storage Temperature	-30~70 °C
Storage Humidity	10 to 90% @ 40°C, Non- condensing, without touch screen
Certificate	CE/FCC Class A

Ordering Information	
ARCDIS-108-06	8" SVGA FPD Industrial Display, Resistive Touch Window, VGA, DVI, RCA input, 5 keys Rear OSD, DC 9~36V power input with adapter, Aluminum Die-casting Chassis
ARCDIS-108P-01	8" SVGA FPD Industrial Display, Projected Capacitive touch screen, VGA, DVI, RCA input, 5 keys Rear OSD, DC 9~36V power input with adapter, Aluminum Die-casting Chassis