

VOLKTEK

HNS-8405P

Unmanaged 4 x 10/100/1000 PoE+ &
1 x 10/100/1000 RJ45 Switch

Description

The HNS-8405P is an Unmanaged Hardened PoE+ switch perfectly suited in harsh environments and an ideal solution to deploy in surveillance systems. The switch is designed to meet the requirements of both power and data transmission over single Ethernet cable to PoE appliances and devices without the need for power outlets, eliminating additional cost of electrical cabling and circuits.

The switch's rugged case and hardened components withstand high degree of vibration, shock and wide operating temperatures from -10°C to 60°C. The HNS-8405P features 5 10/100/1000BASE-T ports to satisfy new and evolving network demands. With 4 IEEE 802.3at compliant ports, the switch provides up to 30W per port to meet the growing demand of high power consuming network devices such as wireless access points, IP cameras, and other powered devices (PDs).



Features Highlight

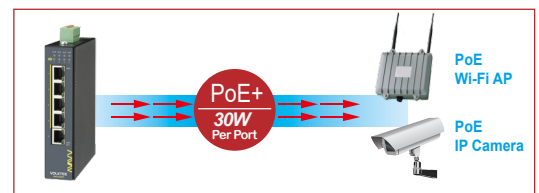
Robust Switch Performance

With IP30 metal case, surge and ESD protection, the HNS-8405P provides a high level of immunity against electromagnetic interference and heavy electrical surges which are easy to deploy in industrial environments. Furthermore, the HNS-8405P offers high performance switch architecture with 5 ports of 10/100/1000BASE-T to meet the requirements of high-bandwidth access Ethernet, Fast Ethernet or Gigabit Ethernet in tough operating temperatures.



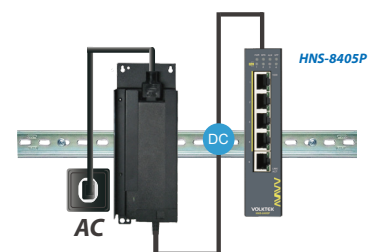
High-Power Budget for PoE Network Devices

To fulfill the growing demand of high-bandwidth, high-power PoE for network applications and eliminating the cost of electrical cabling and circuits, the HNS-8405P is designed under IEEE 802.3at standard PoE. With 120W PoE power budget capability for whole system, the switch allows simple "plug and play" PoE for various types of high power consuming PoE devices. This makes the HNS-8405P a very convenient solution for applications far away from power outlets satisfying PoE extension applications in long distances.



DIN Rail to Power Adapter (AC to DC) & Terminal Block

The HNS-8405P is ideal solution to prevent the failure of single power circuit, in which provides you options to facilitate the 802.3at High Power PoE usage. Either "DIN-Rail Power Adapter" to convert AC to DC for board operation in an easily and firmly installation with hardened connection to the switch unit OR "Terminal Block" which supports primary (PWR) 48VDC and standby (RPS) 48VDC can be used to powering PoE network. Categorized by its compact design, DIN-Rail Power Adapter can easily fit in smaller infrastructures and is extremely simple in installation. Saving your time and space, this adapter can be easily mounted next to switch unit in surveillance applications that have little space available. The second optional power supply through "Terminal Block" provides a low-cost, simple solution to the problem of an inadvertent failure of the internal power-supply, which can result in the shutdown of switching device, the PoE devices attached to its ports, or an entire network.



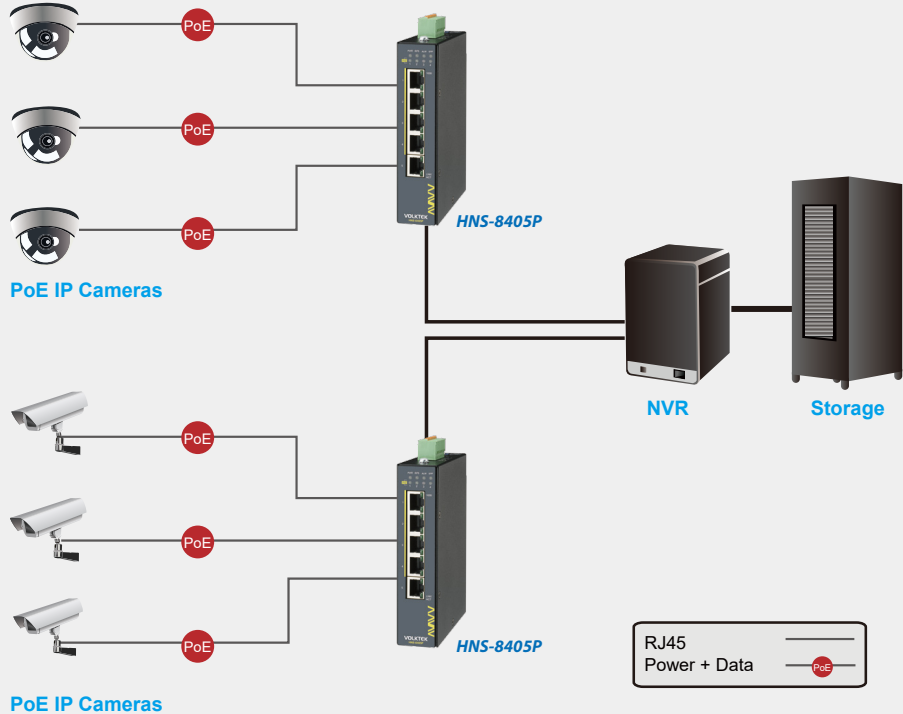
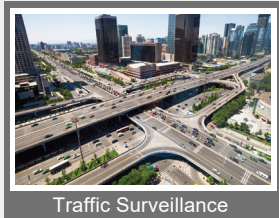
Simplified Installation w/ Compact Size

The HNS-8405P provides varied choice of deployment locations even in small space, harsh environments, quick and easy installation way by its compact size and no configuration required. Every HNS-8405P is equipped with auto MDI/MDI-X on all ports for simple connection to other switches and hubs. When a compliant device is attached, the power supplied will automatically detect and classify to fit the device. With diagnostic LEDs panel, the HNS-8405P allows you to know switch status and simplify troubleshooting.



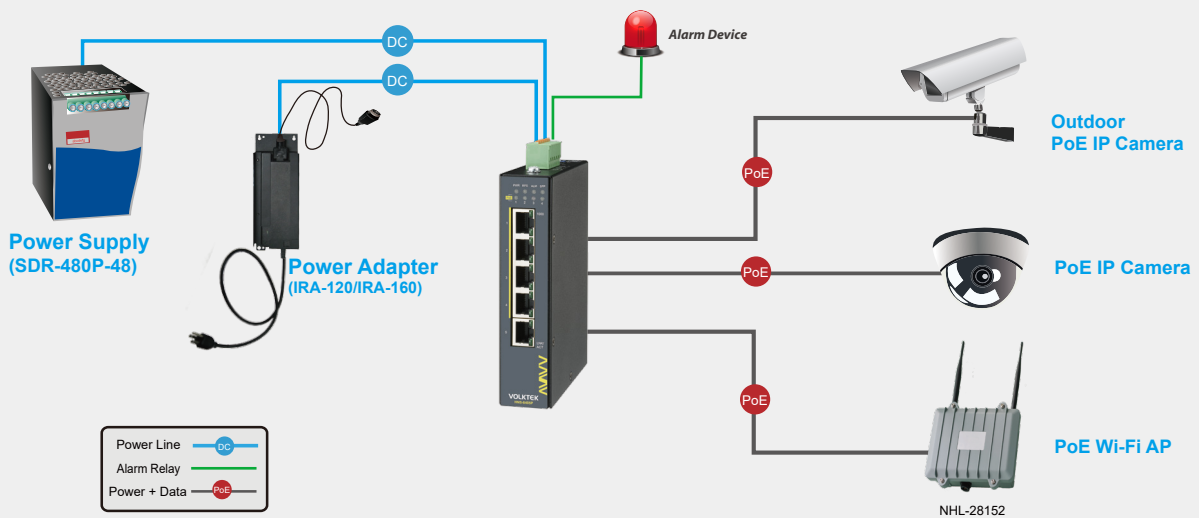
Surveillance Applications

The HNS-8405P combines high-power PoE+, robust performance for surveillance systems in harsh environments. With its compact size, highly reliable and secure features ensure continuous operations in some special requirements for transportation, factory and outdoor places where high vibration degree, shock and wide range temperatures are present.



Applications

The HNS-8405P is compatible with 10/100/1000Mbps through RJ45 transceivers to guarantee a strong, stable connection of Ethernet, Fast Ethernet or Gigabit Ethernet, providing flexible deployment options to satisfy industrial networking requirements.



Specifications

Standards	
IEEE 802.3	10BASE-T
IEEE 802.3u	100BASE-TX
IEEE 802.3ab	1000BASE-T
IEEE 802.3x	Flow Control
IEEE 802.3af	Power over Ethernet
IEEE 802.3at	Power over Ethernet Plus
IEEE 802.3az	EEE
Interface	
Ports	4 x 10/100/1000BASE-T PSE Ports 1 x 10/100/1000BASE-T RJ45 Port
DIP Switch	Primary/Redundant Power voltage drop alarm setting
LED Panel	PWR, RPS, ALM, PoE, 1000, LNK/ACT
Features	
Performance	Throughput : 14,880 pps to 10 Mbps ports 148,800 pps to 100 Mbps ports 1,488,000 pps to 1000 Mbps ports
	Switch fabric: 10Gbps
	MAC table size: 8K
	Jumbo Frame size: 10KBytes
PoE+ Functions	Up to 4 IEEE 802.3at powered devices Supports PoE Power up to 30W for each PoE port Auto detect powered device (PD) Remote Power Feeding up to 100m
Power	
Input Voltage	Primary inputs : 48V~57VDC Redundant inputs : 48V~57VDC
Power Consumption	System : 9W 130W (With 4 PoE plus fully loaded)
Alarm Relay	One relay output, 1 A @ 24V DC
Mechanical and Environment	
Housing	Metal case
Mounting	DIN-Rail
Operating Temperature	-10°C~60°C
Storage Temperature	-40°C~85°C
Operating Humidity	5 to 95% RH (non-condensing)
Storage Humidity	5 to 95% RH (non-condensing)
Weight	500g
Dimension (WxHxD)	30x136x105 mm (1.22x5.36x4.13 inch)

Mechanical and Environment	
Housing	Metal Case (IP30 protection)
Mounting	DIN-Rail
Operating Temperature	-10°C~60°C
Storage Temperature	-40°C~85°C
Operating Humidity	5 to 95% RH (non-condensing)
Storage Humidity	5 to 95% RH (non-condensing)
Weight	500g
Dimension (WxHxD)	31x136x105 mm (1.22x5.36x4.13 inch)
Certifications	
EMI	FCC Part 15 Subpart B Class A EN 55011 class A EN 55032 class A EN 61000-6-4
	EN 61000-6-2 EN 55024 EN 61000-4-2 (ESD) EN 61000-4-3 (RS) EN 61000-4-4 (Burst) EN 61000-4-5 (Surge) EN 61000-4-6 (CS) EN 61000-4-8 (PFMF)
Shock	IEC 60068-2-27
Freefall	IEC 60068-2-32
Vibration	IEC 60068-2-6
Optional Accessories	
Power Supply	IRA-160: 160W, 52V, Industrial Grade Power Adapter (-30°C~60°C for 110V AC input / -30°C~70°C for 220V AC input)
GBM-104	1000BASE-SX 1.25G, Multi-mode SFP, 500m
GBM-123TS	1000BASE-LX, Bi-Di SFP TX:1310/RX:1550 Single Mode, 10Km, 0°C~70°C / -32°F~158°F
GBM-123RS	1000BASE-LX, Bi-Di SFP TX:1550/RX:1310 Single Mode, 10Km, 0°C~70°C / -32°F~158°F

Dimension

