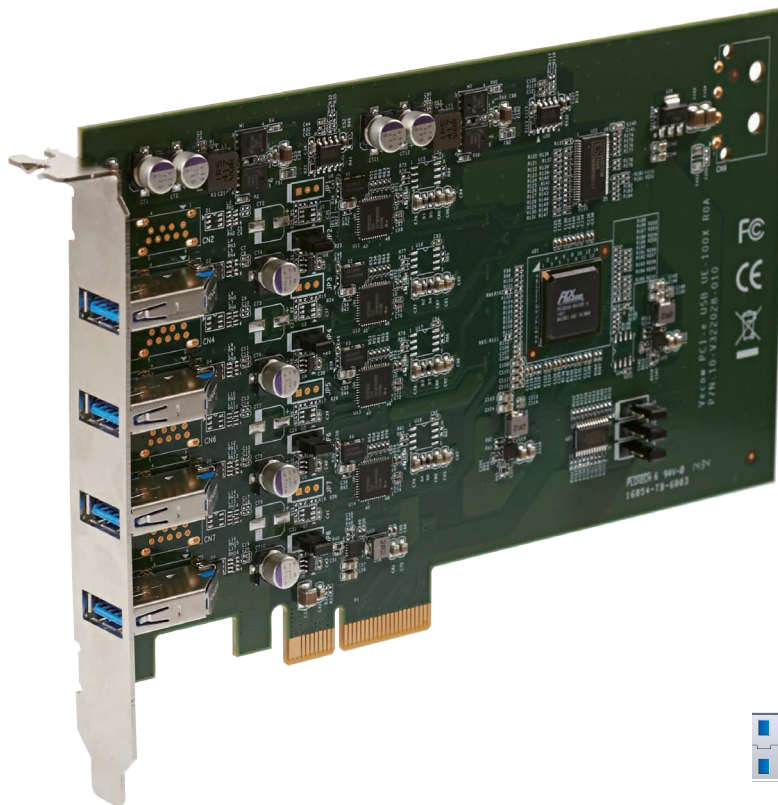
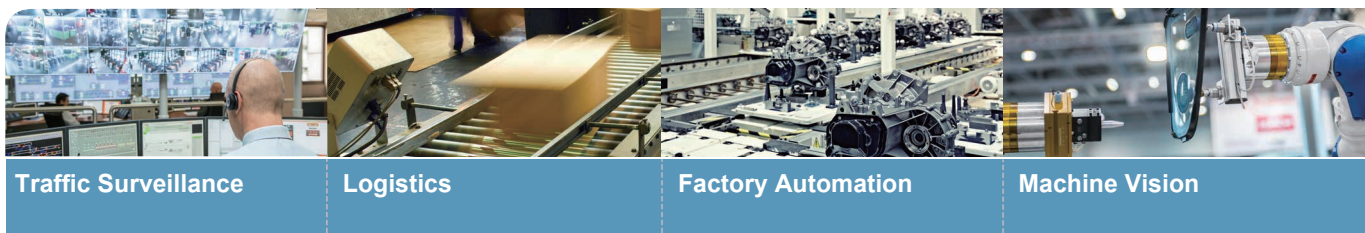


UE-1000 series

PCI-Express by 4, 4 Ports / 8 Ports USB 3.0 Expansion Card



- PCIe x4 Gen2 interface
- 4 or 8 USB 3.0 ports
- 4 Independent USB 3.0 Host Controllers
- User-configurable 900mA and 1500mA current limit
- Supports Windows XP/7/8 and Linux
- Compliant with USB 3.0 specification Rev. 1.0 and Intel® xHCI Specification Rev. 1.0
- Software-programmable Per-port Power on/off Control (By Request)



Traffic Surveillance

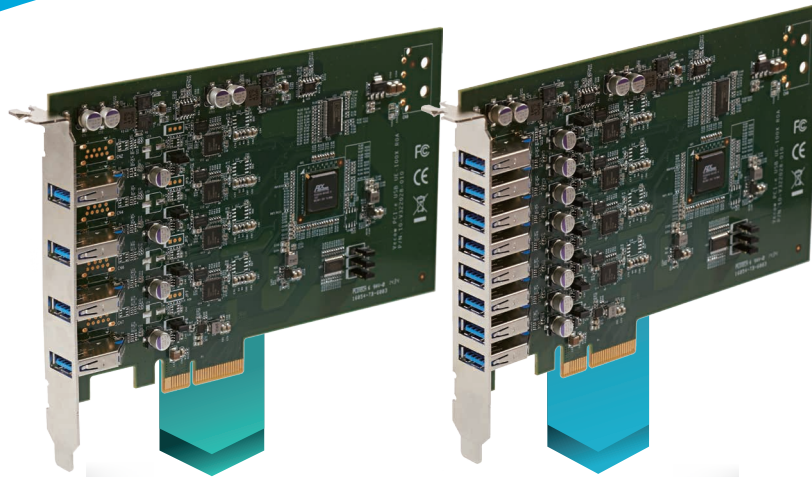
Logistics

Factory Automation

Machine Vision

Designed for high-speed data rate industrial vision applications, Vecow's 4-port/8-port USB 3.0 frame grabber, UE-1004/1008, provides up to 10 times of data rate over USB 2.0. To guarantee performance for each port, UE-1004/1008 has four independent NEC/Renesas μ PD720202 USB 3.0 Host Controllers with x4 PCI Express Gen2 interface which enables every USB 3.0 port achieves up to 5Gbps bandwidth without interfering system resource and performance. Together with a selection of Vecow's high performance embedded systems, the UE-1004/1008 USB 3.0 adaptor provides robust solutions for Machine Vision, Factory Automation, Quality Assurance, Logistics, Medicine, and Security and Traffic Surveillance applications.

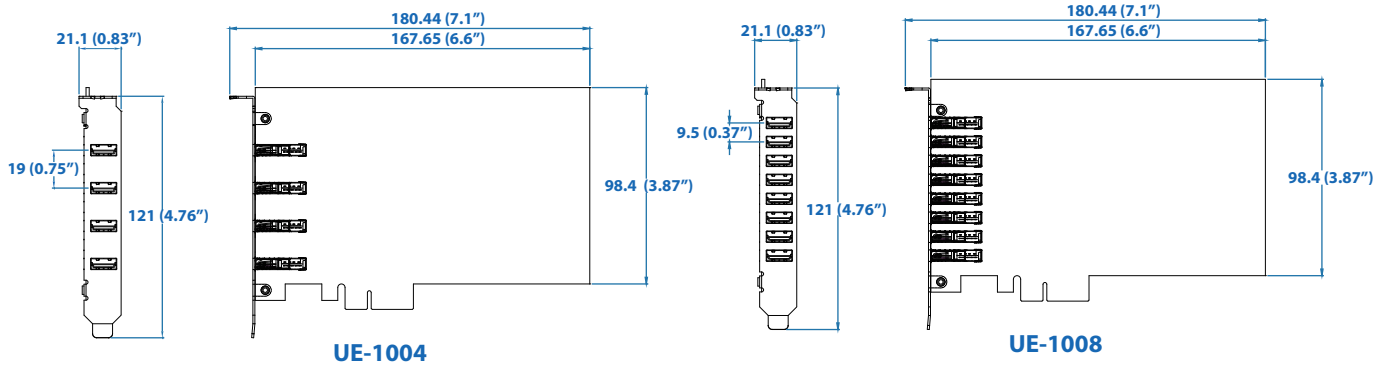




Digital USB 3.0 Cameras



Digital USB 3.0 Cameras



Specification

USB Communications

Bus Type Form Factor	4-lanes, Gen2 PCI Express interface Compliant with PCI Express Base Specification Revision 2.0
Number of Ports	4 or 8 USB 3.0 ports
USB Controller	4x Renesas μ PD720202 Host Controllers Compliant with Universal Serial Bus 3.0 specification Revision 1.0 Compliant with Intel [®] xHCI specification Revision 1.0 [*]
USB Connectors	4 or 8 USB 3.0 Type-A connectors
USB Per-Port Current Limit	User-configurable 900mA/1500mA per-port current limit (Jumper)
Port Connector	PCI Express 2.0/5Gbps
Speed	Low-Speed (1.5Mbps) / Full-Speed (12Mbps) / High-Speed (480Mbps) / Super-Speed (5Gbps)

Environment

Operate Temperature	0°C to 70°C (32°F to 158°F)
Storage Temperature	-40°C to 85°C (-40°F to 185°F)
Environment Certifications	FCC, CE, RoHS Compliance

Mechanical

Dimension (W x D x H)	168mm x 121mm x 21mm (6.6" x 4.8" x 0.8")
-----------------------	-------------------------------------------

*All product specifications and photos are subject to change without prior notice.

Order Information

Part Number	Description
UE-1008	8-Port USB 3.0 host adapter with 4x independent USB 3.0 controllers
UE-1004	4-Port USB 3.0 host adapter with 4x independent USB 3.0 controllers