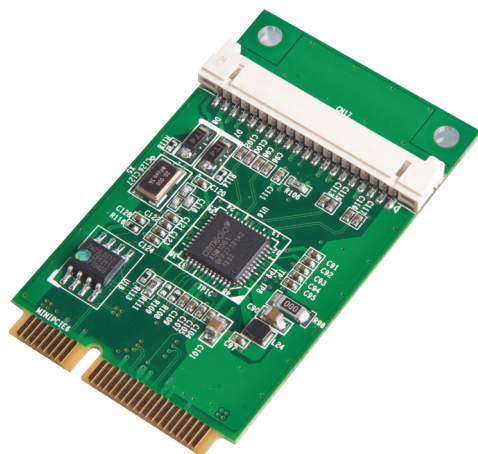


MEC-SAT-M002

Mini PCI-e 2-port Serial ATA III board



- PCI Express x 1 compliant
- Two Serial ATA III 6Gb/s ports (Compatible with Serial ATA I and II)
- Transfer rate of 1.5Gbps, 3.0Gbps, and 6.0Gbps
- PCI Express Specification Revision 2.0. supported (Compatible with PCI Express 1.0)
- IDE/AHCI mode supported
- SATA Port Multiplier and Hot-Swap supported



Overview

MEC-SAT-M002 is a serial ATA III card for embedded PC. The card follows the Mini PCI-e standard which is complaint with PCI Express x 1 classification and small form factor (30.00 x 50.95 mm). This board fits in any host computer that has Mini PCI-e card slots. MEC-SAT-M002 has great compatibilities with all types of Serial ATA devices, including hard drive, solid state drive, and optical drive.

Top Performance

MEC-SAT-M002 comes with 2 ports of newest Serial ATA III interfaces that support the application of the industry's newest and fastest 6Gb/s hard drives while providing backward compatibility to SATA 1.5Gb/s and 3Gb/s hard drives. MEC-SAT-M002 follows the standard of PCI-Express 2.0 and SATA revision 3.0, and supports IDE/AHCI mode and Hot-Swap function.

High Usability

MEC-SAT-M002 is tested to be compatible with various Windows Operation Systems. The SATA connection cable is included in the standard package.

Specifications

Hardware

Controllers: Asmedia ASM1061

Bus: PCI Express X1

Interface (Connector)

Serial ATA III: 2 (SATA)

Performance

Data Transfer Rate: SATA III transfer rate of 1.5Gbps, 3.0Gbps 6.0Gbps

Driver Support

Operating Systems: Win 2003, Win XP, Win Vista, Win 7, Win 8

Power Requirement

Power Consumption: 360mA@3.3V

Dimensions

Width x Length (mm): 30.00 x 50.95

Environmental Limits

Operating Temperature: -20°C ~ 70°C

Storage Temperature: -20°C ~ 85°C

Humidity: 5% ~ 95%

Regulatory Approvals

EMC: CE, FCC

EMI: EN 55022, EN61000-3-2, EN61000-3-3, FCC Part 15 Subpart B Class B

EMS: En 55024, IEC 61000-4-2, IEC 61000-4-3, IEC 61000-4-4, IEC 61000-4-5, IEC 61000-4-6, IEC 61000-4-8, IEC 61000-4-11

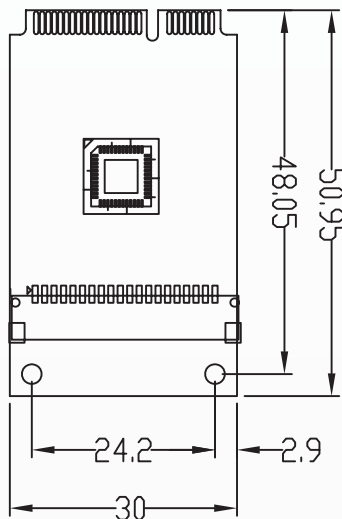
Reliability

MTBF: 3,055,394 hr

Warranty: 3 years

Dimensions

Unit: mm



Package Checklist

- Mini PCI-e Card x 1
- 20Pin Cable with two SATA Connectors (30cm) x 1
- Quick Installation Guide (Printed) x 1
- Driver CD x 1



Ordering Information

Available Models

MEC-SAT-M002

Mini PCI-e 2-port Serial ATA III board