



## Features

- 12.1" Industrial Compact Size Panel PC
- Flat Front Panel Touch Screen
- Fanless design
- Intel 4th Gen. Core i3 CPU built-in/i5(option)
- Onboard 4GB DDR3L 1600 MHz/8GB(option)
- 9~36V DC wide-ranging power input
- IP65 compliant front panel
- Optional projected capacitive touch screen support 7H anti-scratch surface



## Specifications

System	
CPU	Onboard Intel 4th Gen. Core i3 CPU Processors/i5(option)
System Chipset	SoC
Memory	Onboard 4GB DDR 3L 1600 MHz/8GB(option)
IO Port	
USB	2 x USB 3.0 type A
Serial/Parallel	1 x DB-9 RS-232/422/485, COM1 (Default RS-232) 1 x RS-232 DB-9, COM2
Audio	1 x Audio Line Out
LAN	2 x GbE LAN RJ-45
Power	1 x 3-pin DC Power input terminal 1 x 2-Pin Power Switch
Option	2 x RS-232 DB-9 + 1 x Mini-PCIe slot via TB-528C2ME1 2 x CAN bus via TB-528CAN2 2 x USB 2.0 type A + 1 x RS-232 DB-9 + 1 x Power button via TB-528C1U2P1 2 x USB 2.0 type A + via TB-528U2 UPS Battery 21W/10.8V/1.95Ah(3S1P) <i>UPS Battery and TB-528 expansion board can't be used in the same time</i>

Storage Space	
HDD	1 x 2.5" SATA HDD bay for SATA HDD (Easy Accessible)
Movable device	1 x SD card slot, up to 32GB

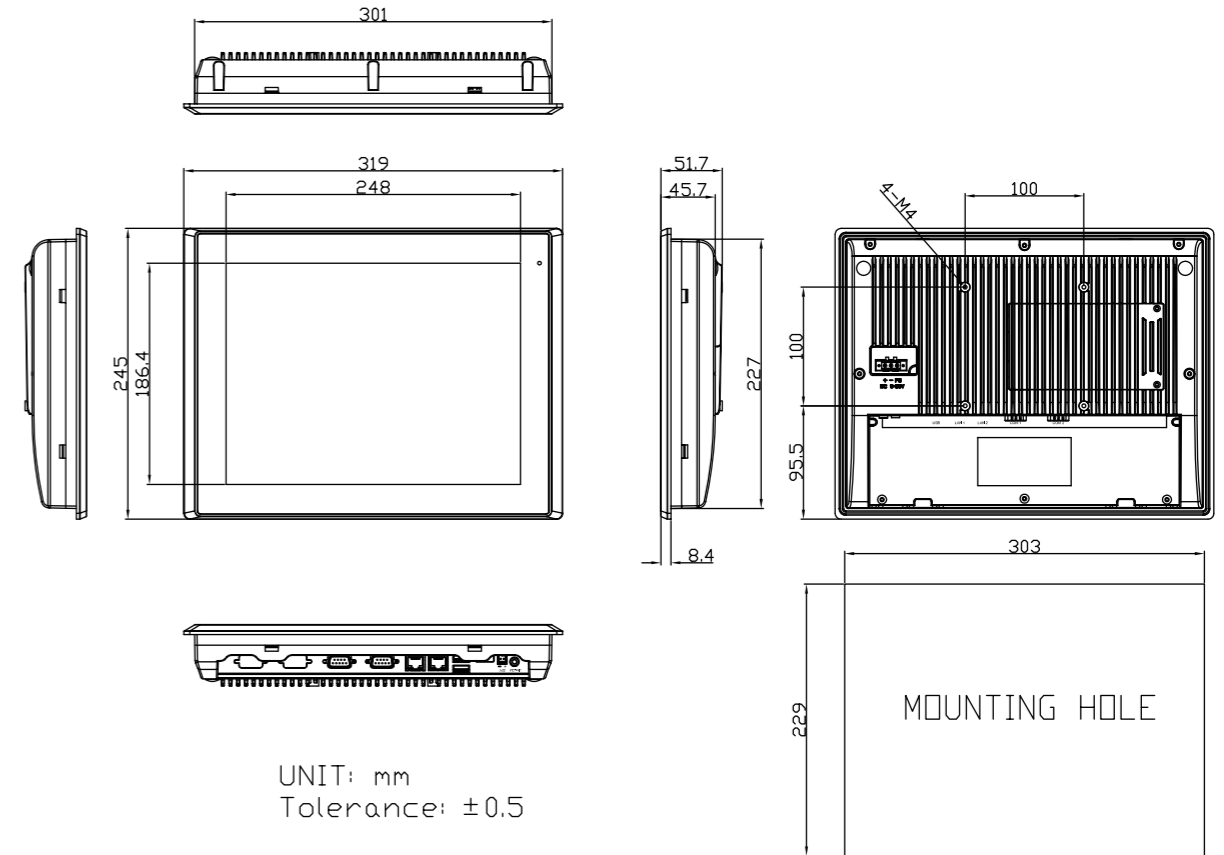
Expansion	
Expansion Bus	1 x Internal Mini-PCIe slot full size

Display	
Display Type	12.1" TFT-LCD
Max. Resolution	800 x 600
Max. Color	16.2M
Contrast Ratio	800 : 1
Luminance (cd/m <sup>2</sup> )	450
View angle(H°/V°)	H:160° / V:140°
Backlight Lifetime (Hrs)	50,000 hrs

Touch screen - Resistive Touch Window Type	
Interface	USB
Light Transmission(%)	Over 80%

Touch Screen – Projected Capacitive Touch Window Type	
Interface	USB
Light Transmission(%)	Over 90%

## Dimensions



Power	
Power Input	9~36V DC
Power Consumption	MAX: 19.6W (912) / MAX: 22.3W (912P)

Mechanical	
Front Bezel	Flat Bezel design
Front Bezel Metal	Aluminum / Panel Mounting
Rear Panel Metal	Aluminum / VESA 100 x 100
Dimensions (WxHxD)	319mm x 245mm x 51.7mm
IP Rating	Front Panel IP65
Net Weight	2.7 Kg

Environmental	
Operating Temperature	0~50°C, -20~60°C (option)
Storage Temperature	-20~60°C
Storage Humidity	10 to 90%@ 40°C, non-condensing
Certificate	CE / FCC Class A / UL

Operating System Support	
Windows Embedded Compact 7, Windows Embedded Standard 7, Windows 7 Pro(FES), Windows 7 Ultimate(FES), Windows Embedded 8 Standard, Windows Embedded 8.1 Industry Pro, Windows 10 IoT Enterprise 2015LTSB	

Ordering information	
ARCHMI-912-01	12.1" SVGA Fanless HMI barebone with Intel Core i3 CPU, 4GB DDR3 RAM, Resistive touch screen, 9~36V DC input with adapter, Aluminum chassis
ARCHMI-912P-01	12.1" SVGA Fanless HMI barebone with Intel Core i3 CPU, 4GB DDR3 RAM, Projected Capacitive touch screen, 9~36V DC input with adapter, Aluminum chassis