

Features



- 12.1" Industrial Compact Size Panel PC
- Flat front panel touch screen
- Fanless design
- Intel Celeron N2930(1.83GHz) CPU built-in
- Onboard 4GB DDR3L 1600 MHz/8GB(option)
- Wide range DC 9~36V power input
- IP65 compliant front panel
- Optional projected capacitive touch screen support 7H anti-scratch surface
- High brightness 1,000nits LCD for ARCHMI-812(P)H
- Optical bonding and XGA 1024 x 768 resolution LCD for option
- Auto dimming for option for ARCHMI-812(P)H



Specifications



System	
CPU	Onboard Intel Celeron N2930(1.83GHz) Processor
System Chipset	SoC
Memory	Onboard 4GB DDR 3L 1600 MHz/8GB(option)

IO Port	
USB	2 x USB 3.0 type A
Serial/Parallel	1 x RS-232 DB-9, COM2 1 x RS-232/422/485 DB-9, COM1, default RS-232
Audio	1 x Audio Line Out
LAN	2 x GbE LAN RJ-45 with Intel 82574L controller
Power	1 x 3-pin DC power input terminal 1 x 2-pin connector for power on/off button
Option	2 x RS-232 DB-9 + 1 x Mini-PCIe slot via TB-528C2ME1 2 x CAN bus via TB-528CAN2 2 x USB 2.0 type A Via TB-528U2 2 x USB 2.0 type A + 1 x RS-232 DB-9 + 1 x Power button via TB-528C1U2P1 UPS Battery 21Wh/10.8V/1.95Ah(3S1P) <i>UPS Battery and TB-528 expansion board can't be used in the same time</i> <i>When use auto dimming function can't support TB-528 expansion board and UPS battery</i>

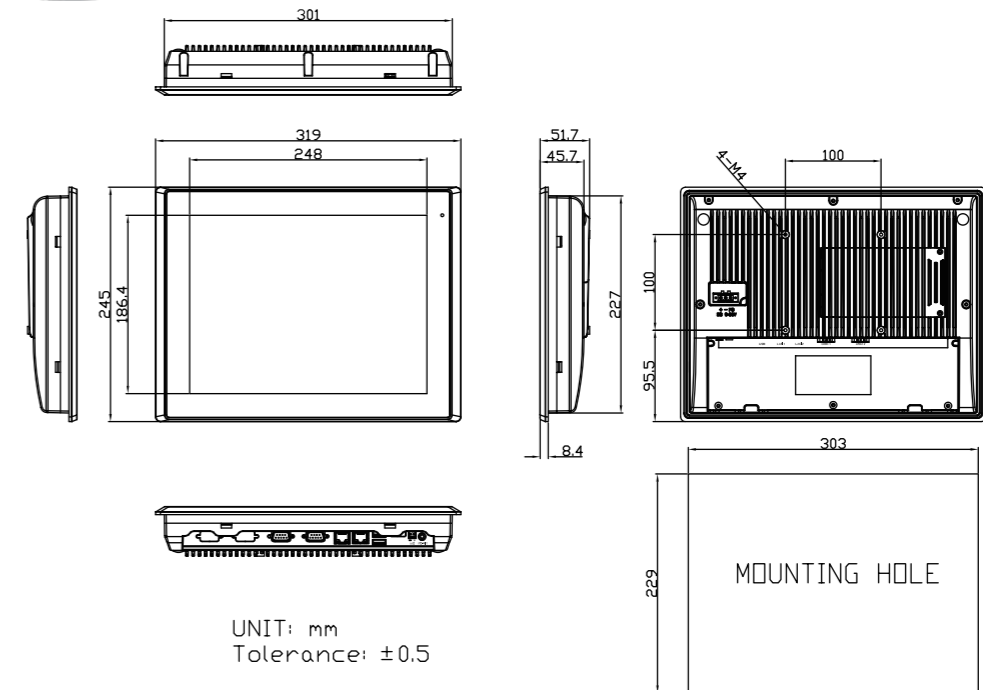
Storage Space	
HDD	1 x SATA 2.5" HDD bay for SATA HDD (easy accessible)
movable device	1 x SD card slot, up to 32GB

Expansion	
Expansion Slot	1 x Internal Mini-PCIe slot full size

Display	ARCHMI-812(P)		ARCHMI-812(P)H	
Display Type	12.1" TFT-LCD		12.1" TFT-LCD	
Max. Resolution	800 x 600	1024 x 768	800 x 600	1024 x 768
Max. Color	16.2M	262K	16.2M	16.2M
Luminance (cd/m ²)	450	500	1000	1000
Viewing Angle	160(H) / 140(V)	160(H) / 140(V)	160(H) / 140(V)	170(H) / 170(V)
Contrast Ratio	800 : 1	700 : 1	600 : 1	700 : 1
Backlight Lifetime	50,000 Hrs	30,000 Hrs	50,000 Hrs	70,000 Hrs

Touch Screen	
Type	Resistive Touch Window Projected Capacitive Touch (For P Model)
Interface	USB
Light Transmission(%)	Resistive Touch Window: over 80% Projected Capacitive Touch: over 90%

Dimensions



UNIT: mm
Tolerance: ±0.5

Power	
Power Input	DC 9~36V
Power Consumption	ARCHMI-812: MAX: 19.5W / ARCHMI-812P: MAX: 15.2W ARCHMI-812H: MAX: 22.1W / ARCHMI-812PH: MAX: 25.6W

Mechanical	
Color	RAL 9007
Construction	Aluminum Die-casting Front Bezel and Chassis
Mounting	Panel Mounting, VESA 100 x 100
IP Rating	IP65 compliant front bezel
Dimensions	319 x 245 x 51.7 mm
Net Weight	ARCHMI-812(P): 2.8 Kg ARCHMI-812(P)H: 2.9 Kg

Environmental	
Operating Temperature	ARCHMI-812(P): 0~50°C, -20~60°C (option) ARCHMI-812(P)H: 0~50°C
Storage Temperature	-20~60°C
Storage Humidity	10 to 90% @ 40°C, non-condensing
Certificate	CE / FCC CLASS A / UL

Operating System Support	
Windows Embedded Compact 7, Windows Embedded Standard 7, Windows 7 Pro(FES), Windows 7 Ultimate(FES), Windows Embedded 8 Standard, Windows Embedded 8.1 Industry Pro, Windows 10 IoT Enterprise 2015LTSP	

Ordering Information	
ARCHMI-812-01	12.1" SVGA Fanless HMI barebone with Intel Celeron N2930 1.83GHz CPU, 2GB DDR3L RAM, Resistive touch screen, DC 9~36V input with adapter, Aluminum chassis
ARCHMI-812P-01	12.1" SVGA Fanless HMI barebone with Intel Celeron N2930 1.83GHz CPU, 2GB DDR3L RAM, Projected capacitive touch screen, DC 9~36V input with adapter, Aluminum chassis
ARCHMI-812H-01	12.1" SVGA Fanless HMI barebone with Intel Celeron N2930 1.83GHz CPU, 4GB DDR3L RAM, Resistive touch screen, DC 9~36V input with adapter, Aluminum chassis, High brightness 1,000nits LCD
ARCHMI-812PH-01	12.1" SVGA Fanless HMI barebone with Intel Celeron N2930 1.83GHz CPU, 4GB DDR3L RAM, Projected capacitive touch screen, DC 9~36V input with adapter, Aluminum chassis, High brightness 1,000nits LCD