

# RCS-9000 Series

Quad Core 6th Generation Intel® Core™ i7/ i5/ i3 (Skylake-S) Fanless Robust Computing System with Intel® Q170 Chipset, 2 Gigabit LAN, 7 USB 3.0, 4 COM, 4 PCI/ PCIe Slot, 3 SIM, 32 Isolated DIO, High Performance, Flexible, Expandable, Extended Temperature



- LGA 1151 Socket supports Quad Core 6th Gen Intel® Core™ i7/ i5/ i3 Processor (Skylake-S)
- Onboard DVI-I, DVI-D and DisplayPort display interface, up to 3 independent HD displays
- Fanless, -25°C to 75°C Operating Temperature
- 6V to 36V DC-in, 80V Surge Protection
- 2 Independent Gigabit LAN, iAMT 11.0 supported
- 4/2 Front-access 2.5" SSD/ HDD Tray, 1 CFast Socket
- 3 SIM Card Socket for 3G/ 4G/ LTE/ WiFi/ GPRS/ UMTS
- 4 PCI/ PCIe Slot, 3 Mini PCIe, 4 COM
- 7 USB 3.0, 32 Isolated DIO
- Configurable Ignition Power Control



Machine Vision

Smart Factory

Robot Control

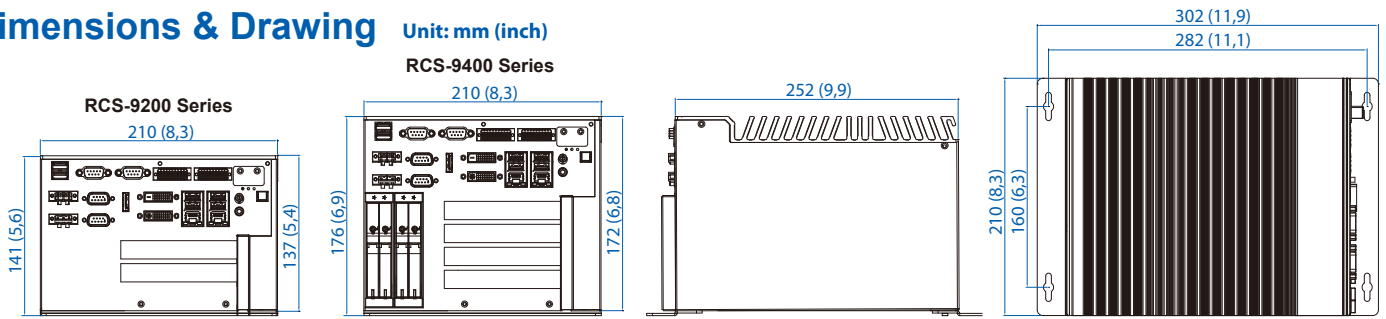
AOI

Machine Automation



FC CE RoHS

# Dimensions & Drawing Unit: mm (inch)



## Specifications

### System

<b>Processor</b>	Intel® Core™ i7-6700/ i7-6700TE/ i5-6500/ i5-6500TE/ i3-6100/ i3-6100TE Processor (Skylake-S)
<b>Chipset</b>	Intel® Q170
<b>BIOS</b>	AMI
<b>SIO</b>	IT8786E
<b>Memory</b>	2 DDR4 2133MHz SO-DIMM, up to 32GB

### I/O Interface

<b>Serial</b>	4 COM RS-232/ 422/ 485
<b>USB</b>	• 7 USB 3.0 (6 External, 1 Internal) • 2 USB 2.0 (Internal)
<b>Isolated DIO</b>	32 Isolated DIO : 16 DI, 16 DO
<b>LED</b>	Power, HDD
<b>SIM Card</b>	3 SIM Card Socket (2 External, 1 Internal)

### Expansion

<b>Mini PCIe</b>	3 Mini PCIe Socket : • 2 Full-size for PCIe/ USB/ External SIM Card • 1 Full-size for PCIe/ USB/ Internal SIM Card/ mSATA
<b>PCIe</b>	Up to 4 PCIe Slot, by request
<b>PCI</b>	Up to 4 PCI Slot, by request

### Graphics

<b>Processor Interface</b>	Intel® HD Graphics 530
	• DVI-I : Up to 1920 x 1200 @ 60Hz
	• DVI-D : Up to 1920 x 1200 @ 60Hz
	• DisplayPort : Up to 4096 x 2304 @ 60Hz

### Storage

<b>SATA</b>	4 SATA III (6Gbps)
<b>mSATA</b>	1 SATA III (Mini PCIe Type, 6Gbps)
<b>Storage Device</b>	• 1 CFast Socket, Push-in/ Push-out Ejector
	<b>9400 Series :</b> 4 2.5" SSD/ HDD Tray/ Bracket (External/ Internal)
	<b>9200 Series :</b> 2 2.5" SSD/ HDD Bracket (Internal)

### Audio

<b>Audio Codec</b>	Realtek ALC892, 5.1 Channel HD Audio
<b>Audio Interface</b>	1 Mic-in, 1 Line-out

## Order Information

<b>RCS-9440</b>	• RCS-9000, Intel® Core™ i7/ i5/ i3 Processor (Skylake-S), 2 GbE LAN, 1 PCIe x8, 3 PCIe x4, 4 COM, 7 USB 3.0, 3 SIM, Isolated DIO
<b>RCS-9422</b>	• RCS-9000, Intel® Core™ i7/ i5/ i3 Processor (Skylake-S), 2 GbE LAN, 1 PCIe x16, 1 PCIe x4, 2 PCI, 4 COM, 7 USB 3.0, 3 SIM, Isolated DIO
<b>RCS-9404</b>	• RCS-9000, Intel® Core™ i7/ i5/ i3 Processor (Skylake-S), 2 GbE LAN, 4 PCI, 4 COM, 7 USB 3.0, 3 SIM, Isolated DIO
<b>RCS-9440R</b>	• RCS-9000, Intel® Core™ i7/ i5/ i3 Processor (Skylake-S), 2 GbE LAN, 1 PCIe x8, 3 PCIe x4, 4 Front-access SSD Tray, 4 COM, 7 USB 3.0, 3 SIM, Isolated DIO
<b>RCS-9422R</b>	• RCS-9000, Intel® Core™ i7/ i5/ i3 Processor (Skylake-S), 2 GbE LAN, 1 PCIe x16, 1 PCIe x4, 2 PCI, 4 Front-access SSD Tray, 4 COM, 7 USB 3.0, 3 SIM, Isolated DIO
<b>RCS-9404R</b>	• RCS-9000, Intel® Core™ i7/ i5/ i3 Processor (Skylake-S), 2 GbE LAN, 4 PCI, 4 Front-access SSD Tray, 4 COM, 7 USB 3.0, 3 SIM, Isolated DIO
<b>RCS-9220A</b>	• RCS-9000, Intel® Core™ i7/ i5/ i3 Processor (Skylake-S), 2 GbE LAN, 2 PCIe x8, 4 COM, 7 USB 3.0, 3 SIM, Isolated DIO
<b>RCS-9220</b>	• RCS-9000, Intel® Core™ i7/ i5/ i3 Processor (Skylake-S), 2 GbE LAN, 1 PCIe x16, 1 PCIe x4, 4 COM, 7 USB 3.0, 3 SIM, Isolated DIO
<b>RCS-9211</b>	• RCS-9000, Intel® Core™ i7/ i5/ i3 Processor (Skylake-S), 2 GbE LAN, 1 PCIe x16, 1 PCI, 4 COM, 7 USB 3.0, 3 SIM, Isolated DIO
<b>i7-6700</b>	• 6th Gen Intel® Core™ i7-6700 Processor (8M Cache, up to 4.00 GHz)
<b>i7-6700TE</b>	• 6th Gen Intel® Core™ i7-6700TE Processor (8M Cache, up to 3.40 GHz)
<b>i5-6500</b>	• 6th Gen Intel® Core™ i5-6500 Processor (6M Cache, up to 3.60 GHz)
<b>i5-6500TE</b>	• 6th Gen Intel® Core™ i5-6500TE Processor (6M Cache, up to 3.30 GHz)
<b>i3-6100</b>	• 6th Gen Intel® Core™ i3-6100 Processor (3M Cache, 3.70 GHz)
<b>i3-6100TE</b>	• 6th Gen Intel® Core™ i3-6100TE Processor (4M Cache, 2.70 GHz)
<b>TMK2-20P-100</b>	• Terminal Block 20-pin to Terminal Block 20-pin Cable, 100cm
<b>TMK2-20P-500</b>	• Terminal Block 20-pin to Terminal Block 20-pin Cable, 500cm
<b>TMB-TMBK-20P</b>	• Terminal Board with One 20-pin Terminal Block Connector and DIN-Rail Mounting
<b>DDR4 16G</b>	• Certified DDR4 16GB 2133MHz RAM
<b>DDR4 8G</b>	• Certified DDR4 8GB 2133MHz RAM
<b>DDR4 4G</b>	• Certified DDR4 4GB 2133MHz RAM
<b>PWA-120W</b>	• 120W, 24V, 90VAC to 264VAC Power Adapter with 3-pin Terminal Block
<b>PWA-160W-WT</b>	• 160W, 24V, 85VAC to 264VAC Power Adapter with 3-pin Terminal Block, Wide Temperature -30°C to +70°C
<b>3G Module</b>	• Mini PCIe 3G/GPS Module with Antenna
<b>4G Module</b>	• Mini PCIe 4G/GPS Module with Antenna
<b>WiFi &amp; Bluetooth Module</b>	• Intel® Mini PCIe WiFi & Bluetooth Module with Antenna