

PPC

SP-7929 /

SP-7927 /

SP-7925

**Fanless and Low Power
19"/ 17"/ 15" Intel®
Atom™ D2550 Panel PC**

Features and Benefits:

- Support Intel® Atom™ D2550 (1.86 GHz, 1M Cache)
- Memory Support 204Pins SO-DIMM, DDR3 800/1066MHz, up to 4GB
- Dual Ports to support 10/100/1000Mbps and Wake on LAN
- Supports 2 x SATAII, 6 x USB 2.0 port, 4 x Serial port , DIO 4-in 4-out and 1 x Parallel port
- Support dual PCI expansion Slot (PCIe to PCI riser card)
- Fanless Panel PC
- Easy maintenance (modular design)
- Optional slim DVD drive
- Stainless steel front bezel



Protech Systems Co., Ltd.

No. 24, Lane 365, Yang Goang Street, Nei Hu District Taipei 114, Taiwan
TEL: +886-2-8751-1111 FAX: +886-2-8751-1199
E-mail: sales@protech.com.tw
<http://www.protech.com.tw>

Protech Technologies Inc.

950 Fee Ana St, Suite B Placentia, CA 92870
TEL: +1-714- 996-7200 FAX: +1-714- 996-7300
Sales: sales@protech-usa.net
<http://www.protech-usa.net>

Protech Japan Co., Ltd.

OSK Bldg, 6F, 6-25-14, Minami-ohi Shinagawa-ku, Tokyo, 140-0013
TEL: +81-3-5753-8411 FAX: +81-3-3763-9282
E-mail: sam@protech-j.com
<http://www.protech-j.com>



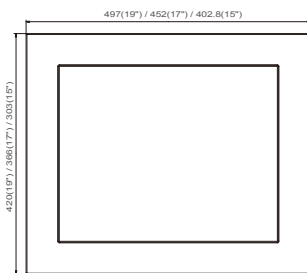
**ISO CERTIFIED
9001 | 14001**

SP-7929 / SP-7927 / SP-7925

Fanless and Low Power 19"/ 17"/ 15" Intel® Atom™ D2550 Panel PC

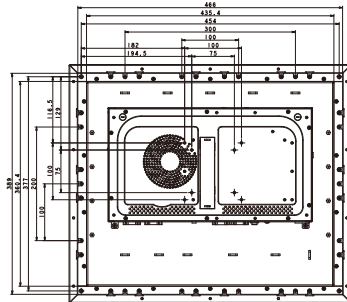
Front View

SP-7929 / 7927 / 7925

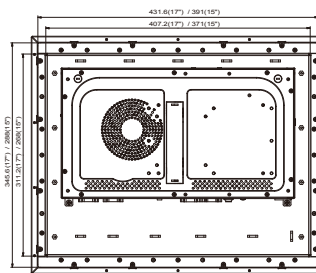


Rear View

SP-7929

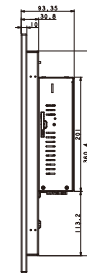


SP-7927 / 7925

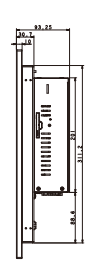


Side View

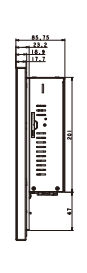
SP-7929



SP-7927



SP-7925



Unit: mm

Specification

Systems

CPU Type	Intel® Atom™ D2550 CPU on board
Chipset	NM10
Memory Support	1 x 204Pins SO-DIMM, DDR3 up to 4GB
Front Bezel	Stainless steel
IP65	Yes (for front panel only)
Watchdog	1~255 secs Watchdog timer selectable
Power Supply	ATX 130W power supply
O.S. Support	Windows 7

Dimension

SP-7929:	497 x 420 x 93.4 mm
SP-7927:	452 x 366 x 93.3 mm
SP-7925:	402.8 x 303 x 85.8 mm

System Weight

SP-7929:	10.2kg
SP-7927:	8.6kg
SP-7925:	7.1kg

VESA Mounting Support

75 mm / 100 mm VESA bracket (optional)

Certificate

FCC / CE

I/O Ports

USB	6 x USB 2.0
Keyboard / Mouse	1 x PS/2 port
Audio	Line-in / Line-out / Mic in
Parallel Port	1 x Parallel port (SPP / EPP / ECP)
Serial Port	4 x COM port (all COM ports support +5V or +12V), COM 2 for RS232/422/485 selectable
Digital I/O	4-in /4-out(with 5V &12V)
LAN	2 x LAN (10/100/1000 Mbps)
VGA	1 x VGA
Drive Bay	2 x 2.5" HDD or 1 x 2.5" HDD +1 x slim SATA DVD (optional)
Expansion Slots	2 x PCI slot (optional)

Display

LCD

SP-7929: 19" LED backlight 300 nit LCD, resolution 1280 x 1024
 SP-7927: 17" LED backlight 350 nit LCD, resolution 1280 x 1024
 SP-7925: 15" LED backlight 400 nit LCD, resolution 1024 x 768

Touch Screen

(ELO) 5W Analog resistive (USB interface)

Environment

Operation Temp.	0° ~ 40°C (32° ~ 104°F)
Storage Temp.	- 20° ~ 80°C (- 4° ~ 176°F)
Humidity	20% ~ 90%

Ordering Information

SP-7929RA-A0B	HSF, Intel® Atom™ D2550+ NM10 Fan-less Panel PC, w/19" Panel 1280*1024 / 5-Wire ELO Touch
SP-7929RA-B0B	HSF, Intel® Atom™ D2550+ NM10 Fan-less Panel PC, w/19" Panel 1280*1024 / Tempered Glass
SP-7927RA-A0B	HSF, Intel® Atom™ D2550+ NM10 Fan-less Panel PC, w/ 17" Panel 1280*1024 / 5-Wire ELO Touch
SP-7927RA-B0B	HSF, Intel® Atom™ D2550+ NM10 Fan-less Panel PC, w/ 17" Panel 1280*1024 / Tempered Glass
SP-7925RA-A0B	HSF, Intel® Atom™ D2550+ NM10 Fan-less Panel PC, w/ 15" Panel 1024*768 / 5-Wire ELO Touch
SP-7925RA-B0B	HSF, Intel® Atom™ D2550+ NM10 Fan-less Panel PC, w/ 15" Panel 1024*768 / Tempered Glass
SP-7615RZ-CR0	HSF, Only slim DVD bracket kit for SP-76xx and SP-79xx series
SP-7615RZ-DR2	HSF, Slim DVD and bracket kit for SP-76xx and SP-79xx series
SP-7615RZ-RC1	HSF, 2 PCI slot riser card and bracket kits (w/o package) for SP-76xx and SP-79xx series
SP-7615RZ-RC2	HSF, 2 PCI slot riser card and bracket kits (w/ package) for SP-76xx and SP-79xx series
SP-7615RZ-VM0	HSF, VESA bracket kit (w/ package) for SP-76xx and SP-79xx series
SP-7615RZ-VM1	HSF, 2 PCI slot riser card and VESA bracket kits (w/ package) for SP-76xx and SP-79xx series
SP-7915RZ-WL2	HSF, Wireless module kit for SP-76xx and SP-79xx series (802.11 a+b+g+n) (w/ 5DB Antenna 2pcs)

All of trademarks and brand names are the property of their owners. Trademark "Protech" is the property of Protech Systems Co., Ltd. All information contained in this document is subject to change without any prior notice. This catalog is copyrighted in May 2014.