

PPC

**SP-7629 /
SP-7627 /
SP-7625**

**High Performance Intel®
3rd Gen. Core™ i5/i3 and
Pentium® Processor 19"/
17"/ 15" Panel PC**

Features and Benefits:

- LGA1155 Intel® 3rd Gen. Core™ i5/i3 and Pentium® Processor
- Equipped with Intel® Q77 Chipset
- Memory support Two DDR3 DIMM sockets 1333/1600 up to 16 GB
- Support Dual Gigabit LAN & USB 3.0
- Support SATA RAID 0, 1, 5, 10
- Front Panel IP65 & NEMA 4X Design
- Stainless steel front bezel
- Optional 2 x PCI slot riser card



Protech Systems Co., Ltd.

No. 24, Lane 365, Yang Goang Street, Nei Hu District Taipei 114, Taiwan
TEL: +886-2-8751-1111 FAX: +886-2-8751-1199
E-mail: sales@protech.com.tw
<http://www.protech.com.tw>

Protech Technologies Inc.

950 Fee Ana St, Suite B Placentia, CA 92870
TEL: +1-714-996-7200 FAX: +1-714-996-7300
Sales: sales@protech-usa.net
<http://www.protech-usa.net>

Protech Japan Co., Ltd.

OSK Bldg, 6F, 6-25-14, Minami-ohi Shinagawa-ku, Tokyo, 140-0013
TEL: +81-3-5753-8411 FAX: +81-3-3763-9282
E-mail: sam@protech-j.com
<http://www.protech-j.com>



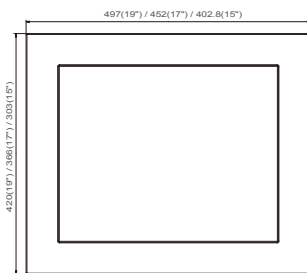
ISO CERTIFIED
9001 | 14001

SP-7629 / SP-7627 / SP-7625

High Performance Intel® 3rd Gen. Core™ i5/i3 and Pentium® Processor 19"/ 17"/ 15" Panel PC

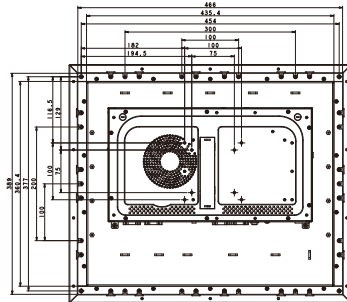
Front View

SP-7629 / 7627 / 7625

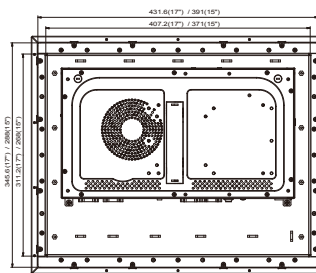


Rear View

SP-7629

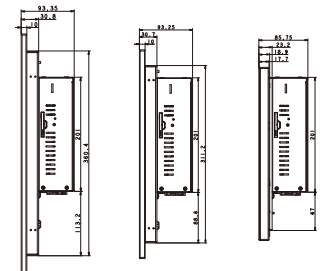


SP-7627 / 7625



Side View

SP-7629 SP-7627 SP-7625



Unit: mm

Specification

Systems

CPU Type	Intel® 3rd Gen. Core™ i5/i3 and Pentium® processor
Chipset	Intel® PCH Q77
Memory Support	2x 240-pin DDR3 DIMM up to 16 GB
Front Bezel	Stainless steel
IP65	Yes (for front panel only)
Watchdog	1~255 secs Watchdog timer selectable
Power Supply	ATX 220W power supply
O.S. Support	Windows 7

Dimension

SP-7629:	497 x 420 x 93.4 mm
SP-7627:	452 x 366 x 93.3 mm
SP-7625:	402.8 x 303 x 85.8 mm

System Weight

SP-7629:	10.6kg
SP-7627:	9kg
SP-7625:	7.5kg

VESA Mounting Support

75 mm / 100 mm VESA bracket (optional)

Certificate

FCC / CE

I/O Ports

USB	4 x USB 3.0
Keyboard / Mouse	2 x PS/2 port
Audio	1 x Line-in / Line-out / MIC in
Parallel Port	1 x Parallel port (SPP / EPP / ECP)
Serial Port	4 x COM port (COM 1/3/4 for RS232, COM 2 for RS232 / 422 / 485, COM 3/4 support +5V, +12V selectable)
Digital I/O	4-in / 4-out
LAN	2 x LAN (10/100/1000 Mbps)
VGA	1 x VGA
Drive Bay	2 x 2.5" SATA HDD, 1 x slim CD-ROM (optional)
Expansion Slots	2 x PCI slot (optional), 1 x mini PCIe slot

Display

LCD

SP-7629: 19" LED backlight 300 nit LCD, resolution 1280 x 1024
 SP-7627: 17" LED backlight 350 nit LCD, resolution 1280 x 1024
 SP-7625: 15" LED backlight 400 nit LCD, resolution 1024 x 768

Touch Screen

(ELO) 5W Analog resistive (USB interface)

Environment

Operation Temp.	0° ~ 50°C (32° ~ 122°F)
Storage Temp.	- 20° ~ 80°C (- 4° ~ 176°F)
Humidity	20% ~ 90%

Ordering Information

SP-7629RA-A0B	HSF, Intel® Socket H2 (LGA1155)+Q77 Panel PC, w/19" Panel 1280*1024 / 5-Wire ELO Touch
SP-7629RA-B0B	HSF, Intel® Socket H2 (LGA1155)+Q77 Panel PC, w/19" Panel 1280*1024 / Tempered Glass
SP-7627RA-A0B	HSF, Intel® Socket H2 (LGA1155)+Q77 Panel PC, w/17" Panel 1280*1024 / 5-Wire ELO Touch
SP-7627RA-B0B	HSF, Intel® Socket H2 (LGA1155)+Q77 Panel PC, w/17" Panel 1280*1024 / Tempered Glass
SP-7625RA-A0B	HSF, Intel® Socket H2 (LGA1155)+Q77 Panel PC, w/15" Panel 1024*768 / 5-Wire ELO Touch
SP-7625RA-B0B	HSF, Intel® Socket H2 (LGA1155)+Q77 Panel PC, w/15" Panel 1024*768 / Tempered Glass
SP-7615RZ-CR0	HSF, Only slim DVD bracket kit for SP-76xx and SP-79xx series
SP-7615RZ-DR2	HSF, Slim DVD and bracket kit for SP-76xx and SP-79xx series
SP-7615RZ-RC1	HSF, 2 PCI slot riser card and bracket kits (w/o package) for SP-76xx and SP-79xx series
SP-7615RZ-RC2	HSF, 2 PCI slot riser card and bracket kits (w/ package) for SP-76xx and SP-79xx series
SP-7615RZ-VM0	HSF, VESA bracket kit (w/ package) for SP-76xx and SP-79xx series
SP-7615RZ-VM1	HSF, 2 PCI slot riser card and VESA bracket kits (w/ package) for SP-76xx and SP-79xx series
SP-7915RZ-WL2	HSF, Wireless module kit for SP-76xx and SP-79xx series (802.11 a+b+g+n) (w/ 5DB Antenna 2pcs)

All of trademarks and brand names are the property of their owners. Trademark "Protech" is the property of Protech Systems Co., Ltd. All information contained in this document is subject to change without any prior notice. This catalog is copyrighted in May 2014.