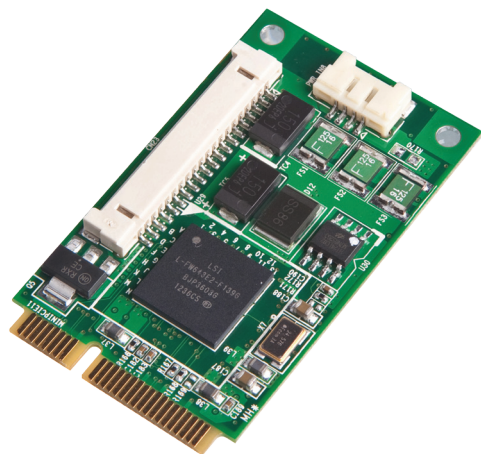


MEC-FIR-M003

Mini PCI-e 1-port IEEE 1394A and 2-port 1394B board



- PCI Express x 1 compliant
- Transfer rate up to 400Mbps for IEEE1394A FireWire and up to 800Mbps for IEEE1394B FireWire
- IEEE P1394b and backwards supports 1394a-2000 as well as 1394-1995 standards compliant
- Support Hot-Swap function
- 5V or 12V power output supported by jumper setting



Overview

MEC-FIR-M003 is a FireWire card for embedded PC. The card follows the Mini PCI-e standard which is compliant with PCI Express x 1 classification and small form factor (30.00 x 50.95 mm). This board fits in any host computer that has Mini PCI-e card slots.

Top Performance

MEC-FIR-M003 has 1 port of 1394A that provides transfer rate of 400 Mbps, 2 ports of 1394B that provide transfer rate of 800 Mbps. It supports the Hot-Swap function which allows devices to be plugged in or removed while bus is active.

Compatibility with Various Types of Devices

MEC-FIR-M003 is compatible with a wide range of FireWire devices which includes DV camcorder, hard disk drive, removable drive, scanner, digital camera, and other 1394 audio/video devices.

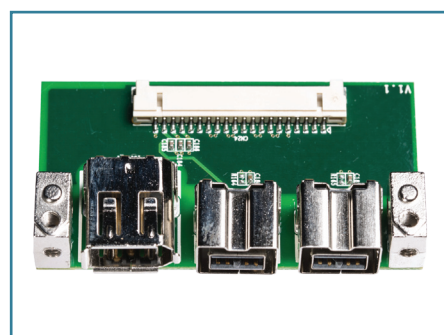
High Usability

MEC-FIR-M003 is designed with flexibilities for many different applications. The accessories (daughter board, bracket, connection / power input cable) are included in the standard package.

MECFIX – Versatile Mounting

MECFIX is the unique mounting mechanism designed specially for MEC daughterboard. The feature of the mounting unit allows the following mounting options:

1. **Standard PCI/PCIe Bracket**
2. **Low Profile PCI/PCIe Bracket**
3. **Internal Mounting** inside of PC system from any position and angle.
4. **Customizing Front/Rear Plate** of PC system according to dimension of MEC daughterboard.



Specifications

Hardware

Controllers: LSI FW643
Bus: PCI Express X1

Interface (Connector)

IEEE 1394A: 1 (1394A)
IEEE 1394B: 2 (1394B)

Performance

Data Transfer Rate: 100, 200, 400, 800Mbit/s transfer Rate

Driver Support

Operating Systems: Win 2003, Win XP, Win Vista, Win 7, Win 8

Power Requirement

Power Consumption: 245mA@3.3V

Dimensions

Width x Length (mm): 30.00 x 50.95

Environmental Limits

Operating Temperature: 0 to 60°C
Storage Temperature: -20°C ~ 85°C
Humidity: 5% ~ 95%

Regulatory Approvals

EMC: CE, FCC

EMI: EN 55022, EN61000-3-2, EN61000-3-3, FCC Part 15 Subpart B Class B

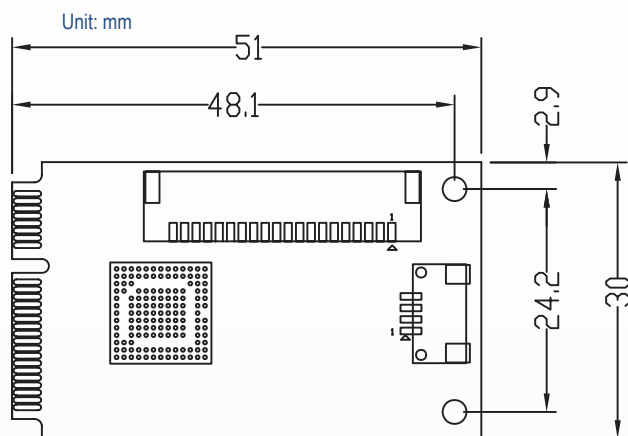
EMS: En 55024, IEC 61000-4-2, IEC 61000-4-3, IEC 61000-4-4, IEC 61000-4-5, IEC 61000-4-6, IEC 61000-4-8, IEC 61000-4-11

Reliability

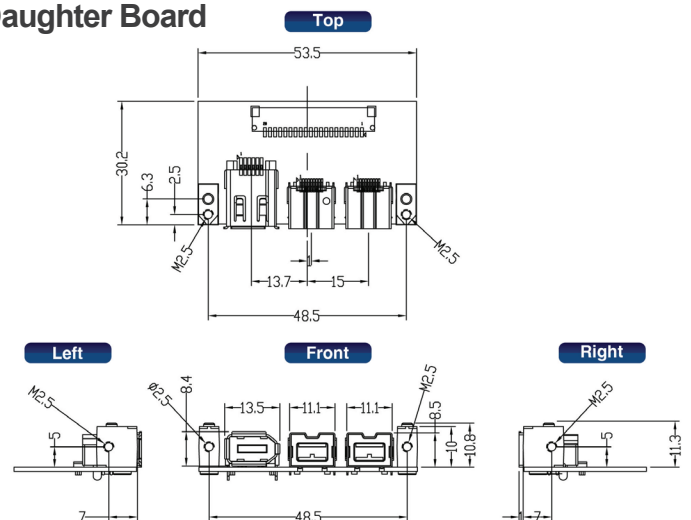
MTBF: 1,726,787 hr

Warranty: 3 years

Dimensions

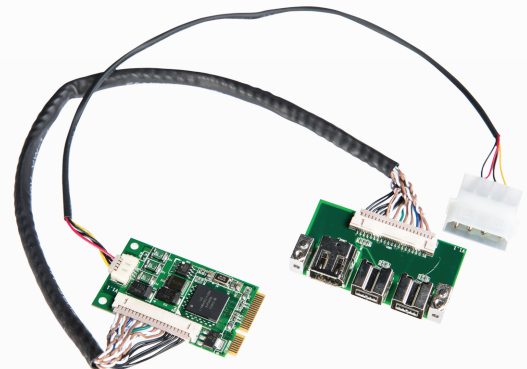


Daughter Board



Package Checklist

- Mini PCI-e Card x 1
- Daughter Board x 1
- Bracket x 1
- M2.5 Screw x 2
- 20Pin Internal Cable (30cm) x 1
- 4Pin Power Input Cable (30cm)
- Quick Installation Guide (Printed) x 1
- Driver CD x 1



Ordering Information

Available Models

MEC-FIR-M003

Mini PCI-e 1-port IEEE 1394A and 2-port 1394B board