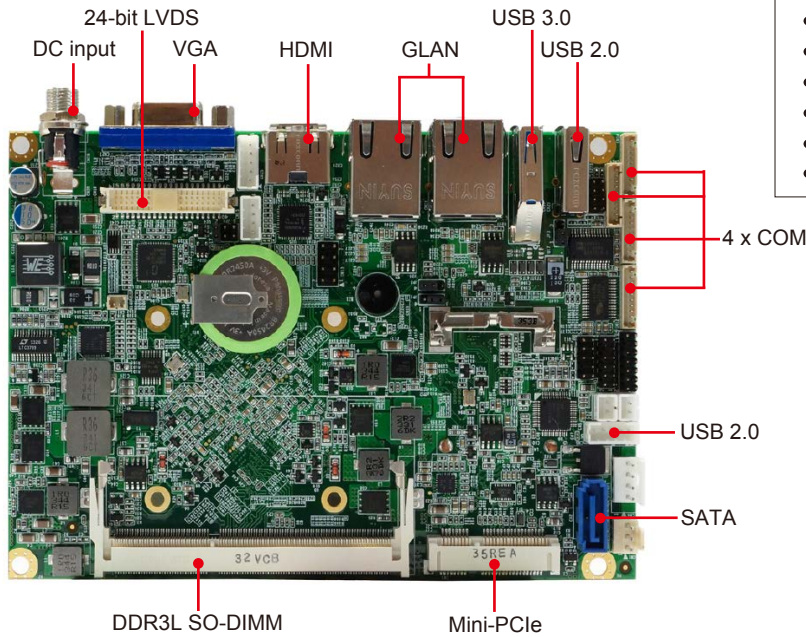


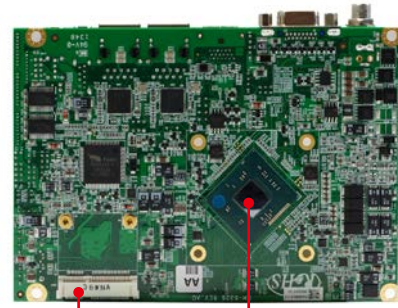
EM-6336

Intel® Atom™ Processor E3800 series support operating within -40°C ~ 85°C , Fanless design , full range DC input



Features

- Onboard Intel® Atom™ E3800 series
- DDR3L up to 8GB , 2 x Intel® Giga LAN
- HDMI , VGA , 24-bit dual channel LVDS
- SATA, 2 x Mini-PCle sockets
- 4 x COM , 3 x USB , SATA , GPIO , Audio
- 2 x Mini-PCle sockets , DC 8V ~ 32V input



Intel® Atom™ Processor

System

Form Factor	3.5" Single Board Computer
Processor	Intel® Atom™ E3815 , 1.46 GHz , Single Core , TDP 5 W Intel® Atom™ E3826 , 1.46 GHz , Dual Core , TDP 7 W Intel® Atom™ E3845 , 1.91 GHz , Quad Core , TDP 10 W
Chipset	None
Memory	1 x 204-pin DDR3L 1066/1333 MHz up to 8GB
BIOS	AMI SPI BIOS
Watchdog timer	1 ~ 255 Sec.
Ethernet	2 x Intel® i210AT Gigabit ethernet
SSD	1 x Half-size Mini-PCle support mSATA
Storage	1 x SATA 6.0 Gb/s
Digital I/O	8-bit programmable
LPC	1 x LPC support TPM module
Expansion Interface	1 x Full-Size Mini-PCle (w/USB, PCIe x 1 Signal) 1 x Half-Size Mini-PCle (PCIe or SATA Signal)
Power Requirement	DC 8V ~32V
Board Size	146mm x 101mm
Operating Temperature	-40°C~85°C
Storage Temperature	-20°C~80°C
Relative Humidity	10%~90% (non-condensing)

I/O

Serial Port	1 x RS232/422/485 & 3 x RS232
USB	1 x USB 3.0 + 2 x USB2.0
Audio	Optional pin-header for Line-in, Line-out, Mic-in

Packing

- 1 x CPU cooling Fan
- 1 x SATA cable
- 1 x SATA power cable
- 1 x CD utility

Default Packing

- 1 x CPU cooling Fan
- 1 x SATA cable (46L-SATA11-00)
- 1 x SATA power cable (46L-IPOW41-00)
- 1 x COM port cable (46L-ICOM34-01)
- Box Packing & CD Utility

Standard

EM-6336A-S14	Onboard Intel® Atom™ E3815 SOC (single Core / 1.46 GHz), DDR3 up to 4GB, HDMI/VGA/LVDS, 2 x Mini-PCle, SATA, Audio, 4 x COM, USB, DC 8V~32V in
EM-6336A-D14	Onboard Intel® Atom™ E3826 SOC (Dual Core / 1.46 GHz), DDR3 up to 4GB, HDMI/VGA/LVDS, 2 x Mini-PCle, SATA, Audio, 4 x COM, USB, DC 8V~32V in
EM-6336A-Q19	Onboard Intel® Atom™ E3845 SOC (Quad Core / 1.91 GHz), DDR3 up to 4GB, HDMI/VGA/LVDS, 2 x Mini-PCle, SATA, Audio, 4 x COM, USB, DC 8V~32V in

Optional

46L-ICOM34-01	Signal D-Sub 9-pin COM port card, L/ 180mm, without bracket
46L-IAUD15-01	Line-out, Line-in, Mac-in audio cable , L/180mm, without bracket

* Note : All specifications are subject to change without prior notice

Display

Chipset	Integrated
Display Interface	1 x HDMI 1 x VGA 1 x 24-bit dual channel LVDS