

ABP-2045A

Fanless Advanced Slim Box PC, 4 GbE LAN, CEC, On-Board GPS, Ultra-Low Voltage, -25°C to 70°C Operation Temp., with Intel® Atom™ Quad Core Valleyview Processor



Intel® Atom™ E3845 Quad Core Processor



CEC, Consumer Electronic Control



Dual HDMI™ Display Outputs



Fanless, -25°C to 70°C



4 GbE LAN



Compliant with Essential Sections of EN50155



3G/4G, GPS/GPRS, WiFi Support

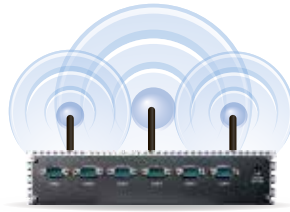


6 COM, 4 RS-232/422/485,

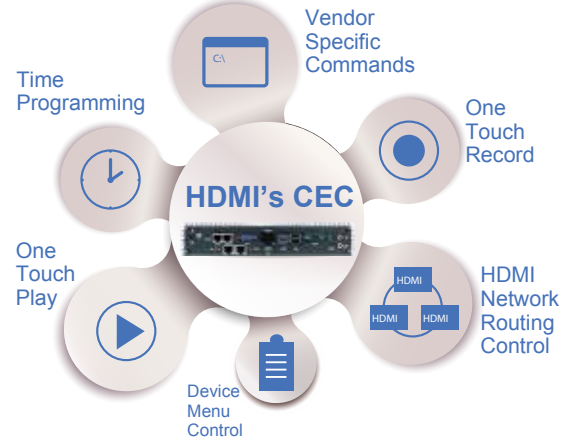
ABP-2045A is equipped with Intel® Quad-Core Atom™ E3845 (formerly codenamed Bay Trail) processor family (1.91GHz) and DDR3L single channel 8GB ram, 2 HDMI display, 2 RS-232, 2 RS-232/422/485, 4 GbE LANs, one 2.5" SATA 3Gp/s SSD/HDD tray, 3 USB 3.0 ports, 2 USB 2.0, and 1 miniPCI-express. ABP-2000 series is in fanless smart form factor and capable of operating under wide temperatures from -25°C to +70°C for harsh environments. With cutting-edge graphics and computing technologies, ABP-2000 series enable to present high quality resolution 3D display as low power consumption. Design with 6 COM to satisfy various applications' control and connection requirements, ABP-2000 series still keep fanless and wide operation temperature plus with EN50155 standard and cable-less arrangement for industrial harsh environment. ABP-2000 series is ideal for information display in harsh environment, automation networking communication, IOT (Internet of Things), In-Vehicle Infotainment (IVI) systems, and M2M (Machine to Machine) applications.



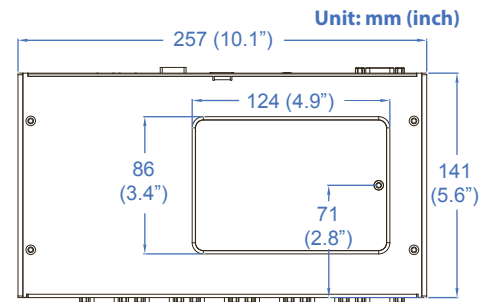
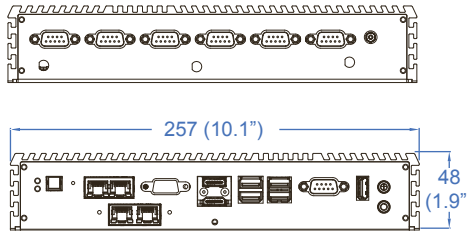
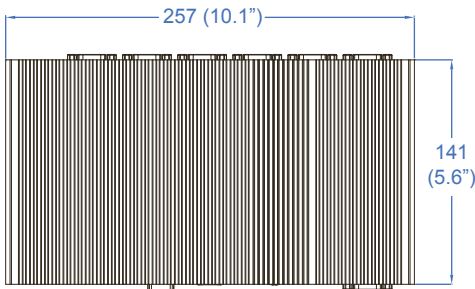
Compact Design,
Quality Graphics



3G/4G, GPS/GPRS, WiFi Support



Dimension



Unit: mm (inch)

Specification

System

CPU	Intel® Atom™ Quad Core Valleyview (Bay Trail) Processor (E3845 1.91GHz)
Chipset	Valleyview SoC
Memory	1 DDR3L 1600 SODIMM, Max. 8Gb
Video	1 DB 15 VGA 2 HDMI 1.4 (Optional CEC Control) Optional BOM: Dual Channel LVDS
Audio	1 Mic-In, 1 Line-Out
Software Support	Windows 8, Windows 7, WES7

I/O Interface

Serial Ports	6 COM Ports; 2 RS-232, 4 RS-232/422/485
LAN1	Intel® GbE WG82574L
LAN2	Intel® GbE WG82574L
LAN3	Intel® GbE WG82574L
LAN4	Intel® GbE WG82574L
USB	3 USB 3.0, 2 USB 2.0
GPIO	8 GPIO
Mini PCIe Slot	miniPCIe Socket (PCIe+USB +SIM Card Socket) mSATA Socket 3 Pre-Cast Holes for Antenna

Storage

SATA HDD	1 SATA II Ports at 3.0 Gb/s
mSATA	1 miniPCIe(full size) Supports mSATA

Power

Power Input	DC Jack ; DC-IN 9~28V Optional BOM: On-Board Power Input for PPC
Power Output	On-Board 12V
Power Adapter	AC to DC 60W (Optional)

Other

Watchdog Timer	Reset: 1 to 255 sec./min. Per Step
GPS	On-board GPS Module (Optional)

Mechanical

Dimension (W x L x H)	257mm x 141mm x 48mm (10.1" x 5.6" x 1.9")
Weight	2.1Kg (4.6 lb)
Mounting	Wall-Mount by Mounting Bracket
Design	Compact

Environment

Operating Temperature	-25°C to 70°C (-13°F to 158°F)
Storage Temperature	-40°C to 85°C (-40°F to 185°F)
Humidity	10% to 95% Humidity, Non-condensing
Shock	Operating, 50 Gms, Half-Sine 11 ms Duration (w / SSD, According to IEC60068-2-27) Random: 5 Grms @ 5-500Hz according to IEC68-2-64 Sinusoidal: 5 Grms @5-500 Hz according to IEC68-2-64
Vibration Protection	
EMC	CE, FCC, RoHS, EN50155 & EN50121-3-2

*All product specifications and photos are subject to change without prior notice.

Order Information

Part No. Description

ABP-2845A	Fanless Advanced Box PC, 4 LAN, 2 HDMI, 6 COM(2 Isolated COM), 8 GPIO, 5 USB, Terminal Block, Onboard Intel® Atom™ Bay Trail E3845 Quad Core Processor
ABP-2845	Fanless Advanced Box PC, 2 LAN, 2 HDMI, 6 COM(2 Isolated COM), 8 GPIO, 5 USB, Terminal Block, Onboard Intel® Atom™ Bay Trail E3845 Quad Core Processor
ABP-2045A	Fanless Advanced Box PC, 4 LAN, 2 HDMI, 6 COM, 8 GPIO, 5 USB, DC-Jack, CEC, Onboard Intel® Atom™ Bay Trail E3845 Quad Core Processor
ABP-2045	Fanless Advanced Box PC, 2 LAN, 2 HDMI, 6 COM, 8 GPIO, 5 USB, DC-Jack, CEC, Onboard Intel® Atom™ Bay Trail E3845 Quad Core Processor
ABP-2015	Fanless Advanced Box PC, 2 LAN, 2 HDMI, 6 COM, 8 GPIO, 5 USB, Terminal Block, Onboard Intel® Atom™ Bay Trail E3815 Processor

Option Description

DDR3L8G	Kingston® DDR3L-1600 8G RAM
DDR3L4G	Kingston® DDR3L-1600 4G RAM
PWA-60W	60W, 12V 100V AC to 240V AC Power Adapter for DC-Jack